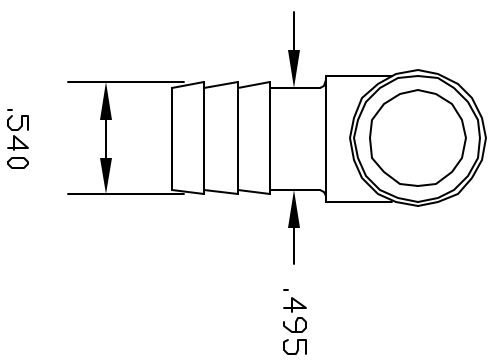
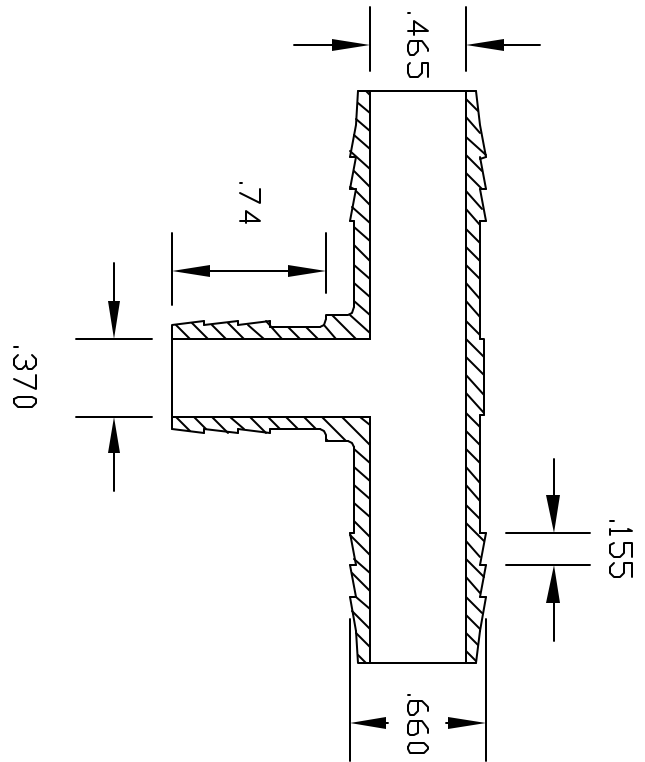
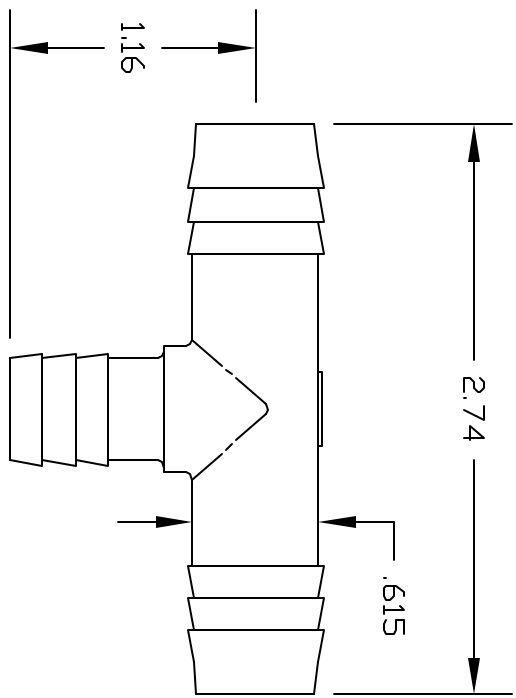


REV	DESCRIPTION	DATE	APPROVED
A	REDRAWN & RELEASED	10/97	10/97
B	MODIFIED 5/8" BARBS	08/01	08/01
C	UPDATE DWG	9/07	9/07



CONTROLLED DOCUMENT
ONLY IF IN RED

<p>CONFIDENTIAL</p> <p>THIS PRINT AND THE SPECIFICATIONS ARE THE PROPERTY OF THOGUS PRODUCTS COMPANY AND HAVE BEEN ISSUED WITH THE UNDERSTANDING THAT IT WILL NOT BE REPRODUCED, REVEALED TO OR USED FOR THE MANUFACTURE FOR OTHERS AND WILL BE RETURNED UPON REQUEST.</p>		<p>UNLESS OTHERWISE SPECIFIED DIMENSIONS ARE IN INCHES</p> <p>DECIMALS ANGULAR TOLERANCES</p> <p>XXX +/- .015</p>	
DRAWN	BM	PART NAME:	1/2 BARB X 5/8 BARB X 5/8 BARB TEE
MATERIAL	981010N	PART NUMBER	TT981010/N
	NYLON		
			33490 PIN OAK PARKWAY AVON LAKE OHIO 44012
		REV	C
		SHEET	1 of 1