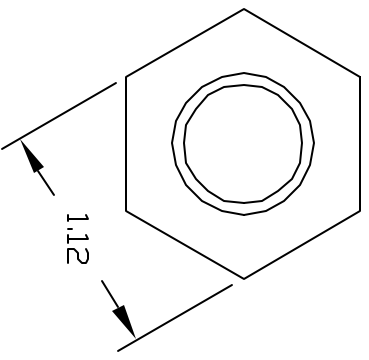
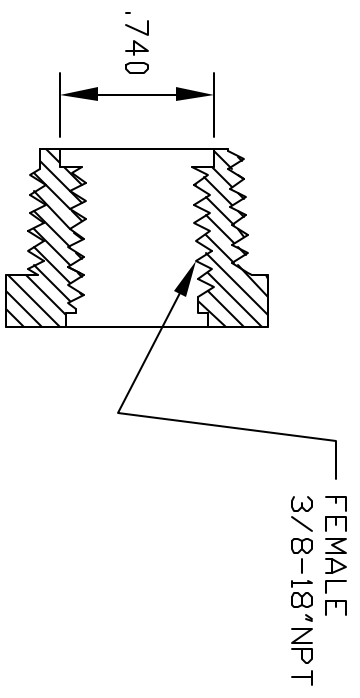
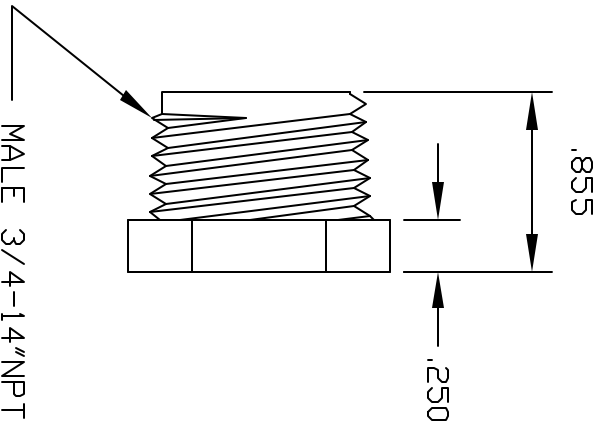


REV	DESCRIPTION	DATE	APPROVED
A	DRAWN	05/02	05/02
B	UPDATE DWG	9/07	9/07



CONTROLLED DOCUMENT  
ONLY IF IN RED

<p>UNLESS OTHERWISE SPECIFIED DIMENSIONS ARE IN INCHES DECIMALS ARE TO THE NEAREST XX THOUSITHS</p>		<p>DRAWN: BM DATE: 5/02</p>	
<p>THIS PRINT AND THE SPECIFICATIONS HEREON ARE THE PROPERTY OF THOGUS PRODUCTS COMPANY AND HAVE BEEN ISSUED WITH THE UNDERSTANDING THAT IT WILL NOT BE REPRODUCED, REVEALED TO OR USED FOR THE MANUFACTURE FOR OTHERS AND WILL BE RETURNED UPON REQUEST.</p>		<p>MATERIAL: NYLON</p>	
<p>PART NAME: 3/4NPT MALE X 3/8NPT FEMALE REDUCER BUSHING</p>		<p>THOGUS PRODUCTS 33490 PIN OAK PARKWAY AVON LAKE OHIO 44012</p>	
<p>PART NUMBER: TRB3438/N</p>		<p>SHEET 1 OF 1</p>	