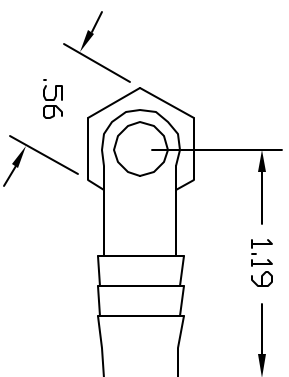
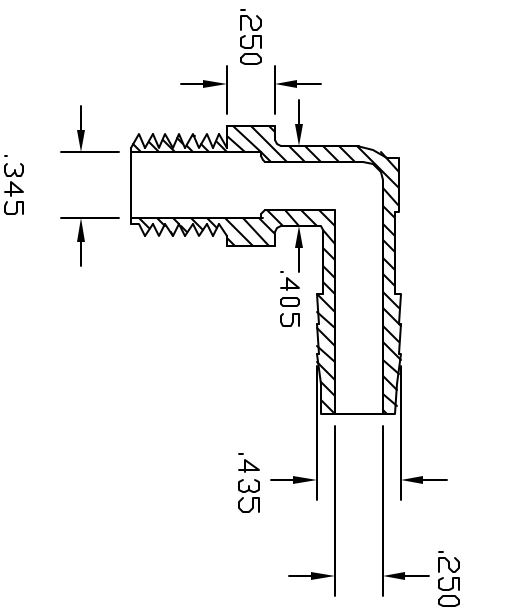
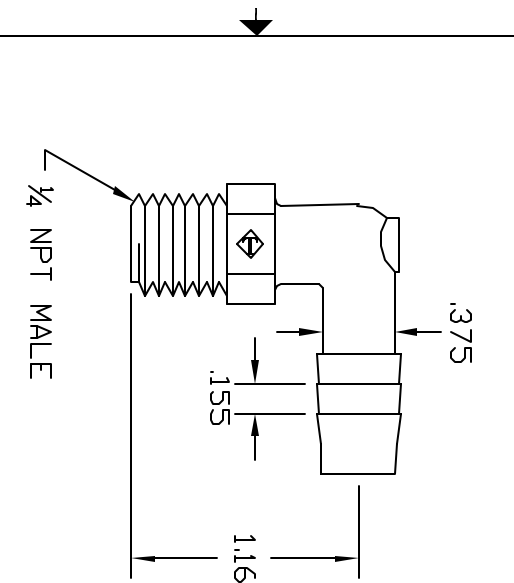


REVISIONS			
REV	DESCRIPTION	DATE	APPROVED
A	REDRAWN & RELEASED	9/97	9/97
B	Corrected Dim. .250 was .300 and added .281	7/99	7/99
C	MODIFY BARBS	12/02	12/02



CONTROLLED DOCUMENT
ONLY IF IN RED

THIS PRINT AND THE SPECIFICATIONS ARE THE PROPERTY OF THOGUS PRODUCTS COMPANY AND HAVE BEEN ISSUED WITH THE UNDERSTANDING THAT THE USER WILL BE RESPONSIBLE FOR THE MANUFACTURE FOR OTHERS AND WILL BE RETURNED UPON REQUEST.

UNLESS OTHERWISE SPECIFIED DIMENSIONS ARE IN INCHES
TOLERANCES ARE:
XX +/- .05
XXX +/- .015
DRAWN NM DATE 9/97
CHECKED 2046N
MATERIAL NYLON

Part Name
1/4NPT X 3/8 BARB ELBOW
THOGUS PRODUCTS
33490 PIN DAK PARKWAY
AVON LAKE OHIO 44012
Part Number
TE2046/N
SCALE 1:1
SHEET 1 of 1
REV C

THOGUS PRODUCTS COMPANY
33490 PIN DAK PARKWAY
AVON LAKE, OHIO 44012
PHONE (440) 385-2000
FAX (440) 385-2001
WWW.THOGUS.COM