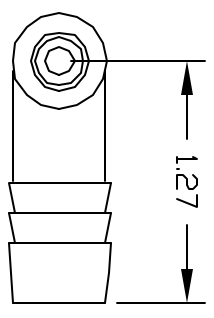
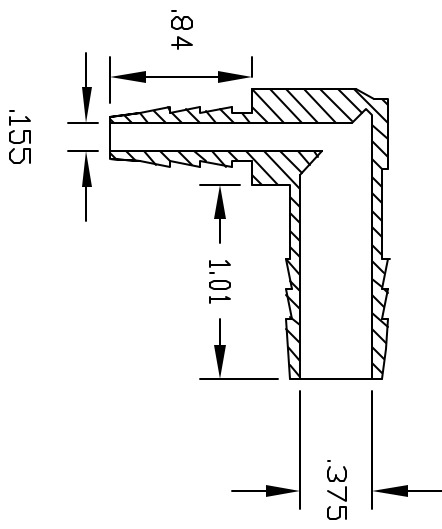
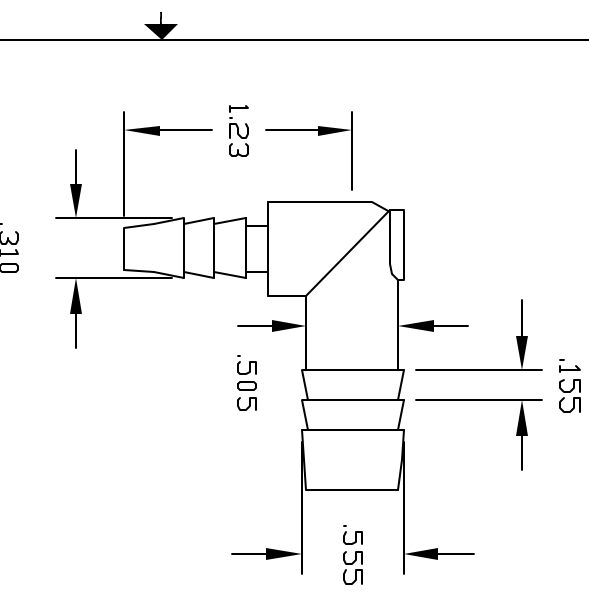


REVISIONS			
REV	DESCRIPTION	DATE	APPROVED
A	REDRAWN & RELEASED	1/98	1/98
B	MODIFIED 1/2" BARB	5/3/00	BM
C	UPDATE DWG	9/07	9/07



UNLESS OTHERWISE SPECIFIED
DIMENSIONS ARE IN INCHES
TOLERANCES UNLESS SHOWN
XX +/- .05
XXX +/- .015

THIS PRINT AND THE SPECIFICATIONS
ARE THE PROPERTY OF THOGUS
PRODUCTS COMPANY AND HAVE BEEN
ISSUED WITH THE UNDERSTANDING THAT
THEY ARE TO BE USED FOR THE
MANUFACTURE OF OTHERS AND WILL
BE RETURNED UPON REQUEST.

Point Name: 1/2 BARB X 1/4 BARB ELBOW
Part Number: TE2084-T/N
SHEET 1 of 1

THOGUS PRODUCTS
33490 PIN DAK PARKWAY
AYDON LAKE OHIO 44012

CONTROLLED DOCUMENT
ONLY IF IN RED