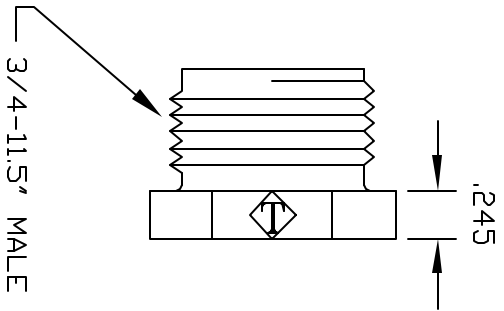
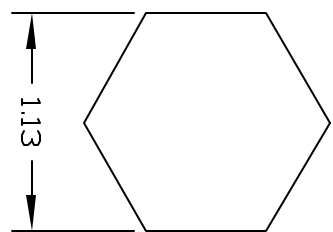
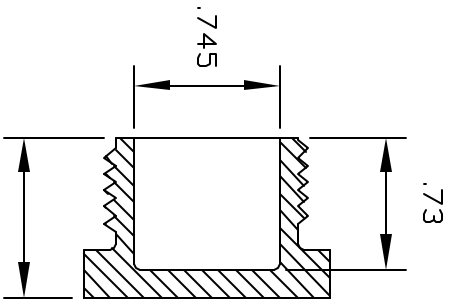


REVISIONS			
REV	DESCRIPTION	DATE	APPROVED
A	DRAWN & RELEASED	1/98	1/98
B	UPDATE & ADD RAD.	02/02	02/02
C	UPDATE DWG	9/07	9/07



CONTROLLED DOCUMENT
ONLY IF IN RED

CONFIDENTIAL
THIS PRINT AND THE SPECIFICATIONS ARE THE PROPERTY OF THOGUS PRODUCTS COMPANY AND HAVE BEEN ISSUED WITH THE UNDERSTANDING THAT IT IS TO BE USED FOR THE MANUFACTURE OF THE PARTS AND WILL BE RETURNED UPON REQUEST.

UNLESS OTHERWISE SPECIFIED DIMENSIONS ARE IN INCHES DECIMALS FRACTIONS XXX +/- .015		Part Name: GARDEN HOSE THREAD PLUG	
DRAWN NM	DATE 1/98	THOGUS PRODUCTS 33597 PIN DAK PARKWAY AVON LAKE OHIO 44012	
MATERIAL NYLON	Part Number GHP12/N	REV C	
SHEET 1		OF 1	