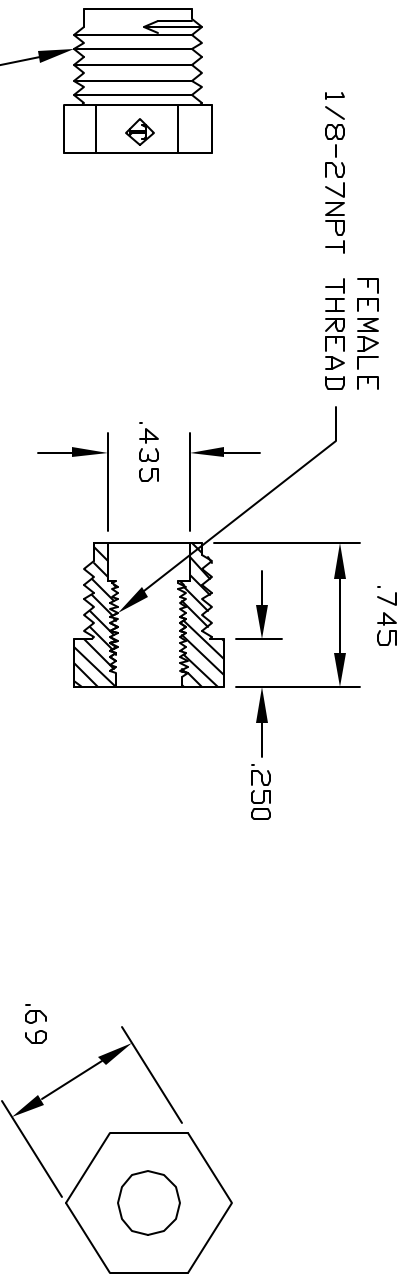


REVISIONS			
REV	DESCRIPTION	DATE	APPROVED
A	DRAWN	03/03	
B	MODIFY DIA.	01/06	
C	UPDATE DWG	9/07	9/07



CONTROLLED DOCUMENT
ONLY IF IN RED

CONFORMANCE
THIS PRINT AND THE SPECIFICATIONS ARE THE PROPERTY OF THOGUS PRODUCTS COMPANY AND HAVE BEEN ISSUED WITH THE UNDERSTANDING THAT REUSE OF THE INFORMATION REVEALED TO THE USER FOR THE MANUFACTURE FOR OTHERS AND WILL BE RETURNED UPON REQUEST.

UNLESS OTHERWISE SPECIFIED DIMENSIONS ARE IN INCHES		TOLERANCES	
DRAWN		XX +.05	YY .05
MATERIAL		ZXX +/- .015	
TRB3818/N	NYLON	BM	TRB3818/N
Part Name		3/8NPT MALE X 1/8NPT FEMALE REDUCER BUSHING	
Part Number		33490 PIN DAK PARKWAY AVON LAKE OHIO 44012	
TRB3818/N	SHEET 1	of	1
REV	C		

THOGUS
PRODUCTS