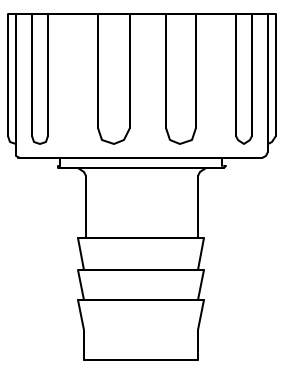
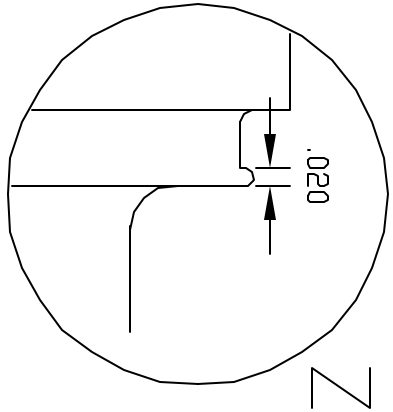
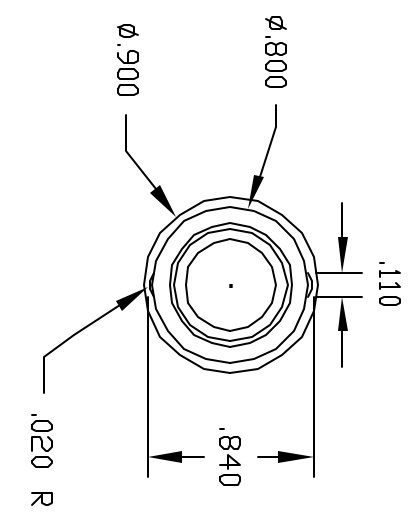
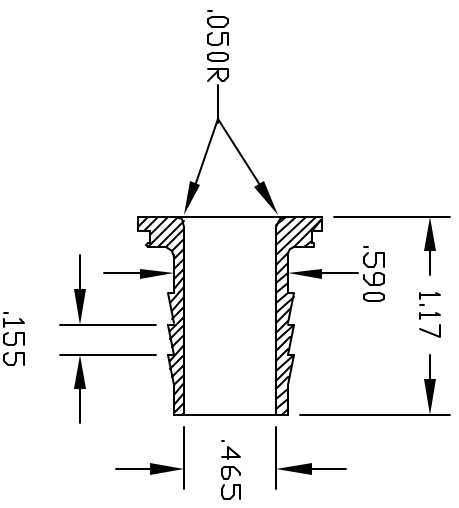
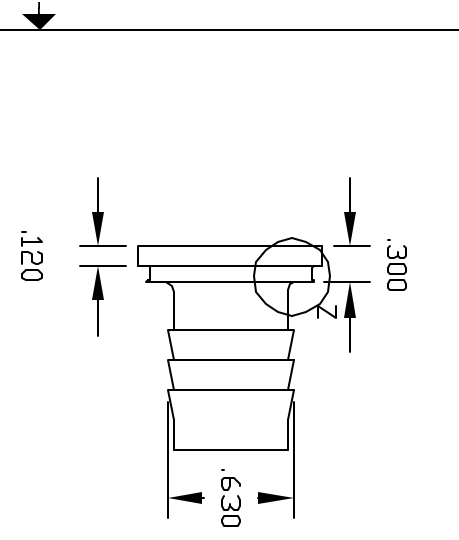


REVISIONS			
REV	DESCRIPTION	DATE	APPROVED
T2	.156 ADDED	4/97	4/97
A	PRODUCTION RELEASE	4/97	4/97
B	REDRAW & DIMENSION	02/18/00	BM
C	UPDATE DWG	9/07	9/07



TYPICAL APPLICATION

CONTROLLED DOCUMENT  
ONLY IF IN RED

**CONFIDENTIAL**  
THIS PRINT AND THE SPECIFICATIONS ARE THE PROPERTY OF THOGUS PRODUCTS COMPANY AND HAVE BEEN ISSUED WITH THE UNDERSTANDING THAT IT IS TO BE KEPT FOR THE MANUFACTURE OF OTHERS AND WILL BE RETURNED UPON REQUEST.

UNLESS OTHERWISE SPECIFIED DIMENSIONS ARE IN INCHES DECIMALS FRACTIONS XX +/- .05 XXX +/- .015		Part Name 5/8 BARB GARDEN HOSE ADAPTER INSERT	
DRAWN NM	DATE 4/97	Part Number GHA10/PPB	
MATERIAL POLYPROPYLENE BLACK		THOGUS PRODUCTS 33490 PIN DAK PARKWAY AVON LAKE OHIO 44012	
SHEET 1 of 1		REV C	