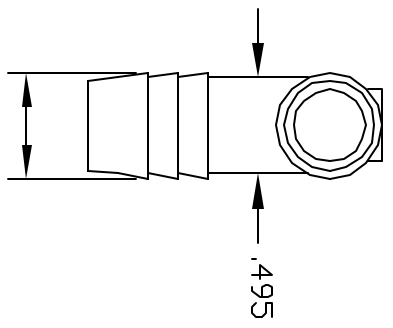
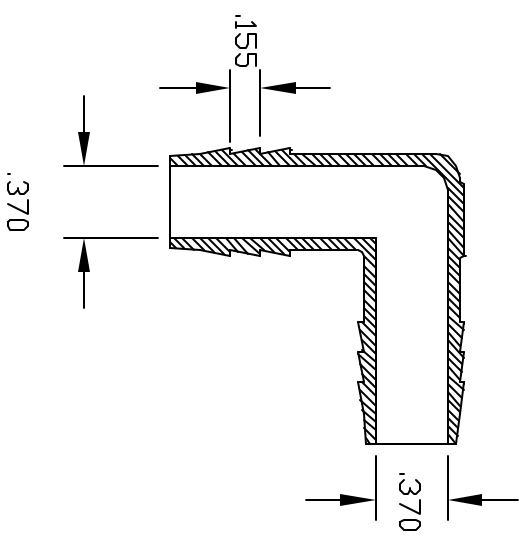
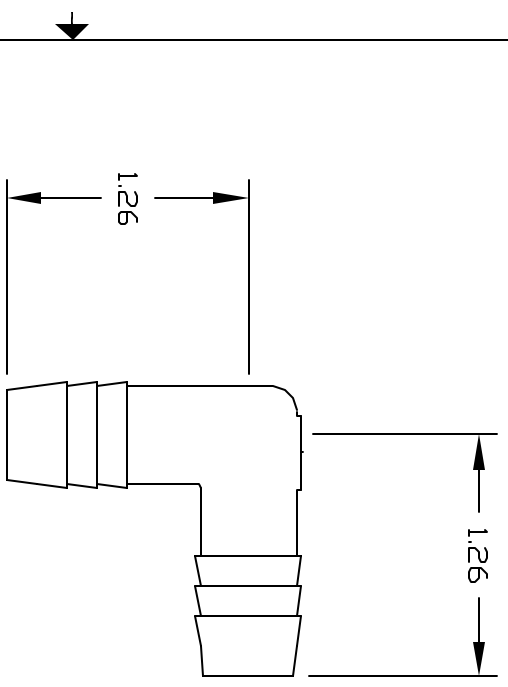


REVISIONS			
REV	DESCRIPTION	DATE	APPROVED
B	.375 GATE PAD WAS	.187 3/98	3/98
C	5" ADDED .468 WAS	.500 4/98	4/98
D	REDRAWN-UPDATED	02/01/00	BM



COLOR: BLACK (PPB)

NATURAL (PPN)

UNLESS OTHERWISE SPECIFIED DIMENSIONS ARE IN INCHES		TOLERANCES	
XX	+/- .05	XX	+/- .05
XXX	+/- .015	XXX	+/- .015
DRAWN	NM	DATE	4/98
DESIGNED	2088-T/PP	PART NAME: 1/2 BARB X 1/2 BARB ELBOW	
MATERIAL	POLYPROPYLENE	THOGUS PRODUCTS 33490 PIN DAK PARKWAY AYDN LAKE OHIO 44012	
SCALE	1:1	SHEET	1 of 1
REV	D	REV	D

CONTROLLED DOCUMENT
ONLY IF IN RED

THIS PRINT AND THE SPECIFICATIONS ARE THE PROPERTY OF THOGUS PRODUCTS COMPANY AND HAVE BEEN LENT WITH THE UNDERSTANDING THAT IT IS TO BE KEPT FOR THE MANUFACTURE FOR OTHERS AND WILL BE RETURNED UPON REQUEST.

NOT TO SCALE UNLESS OTHERWISE NOTED