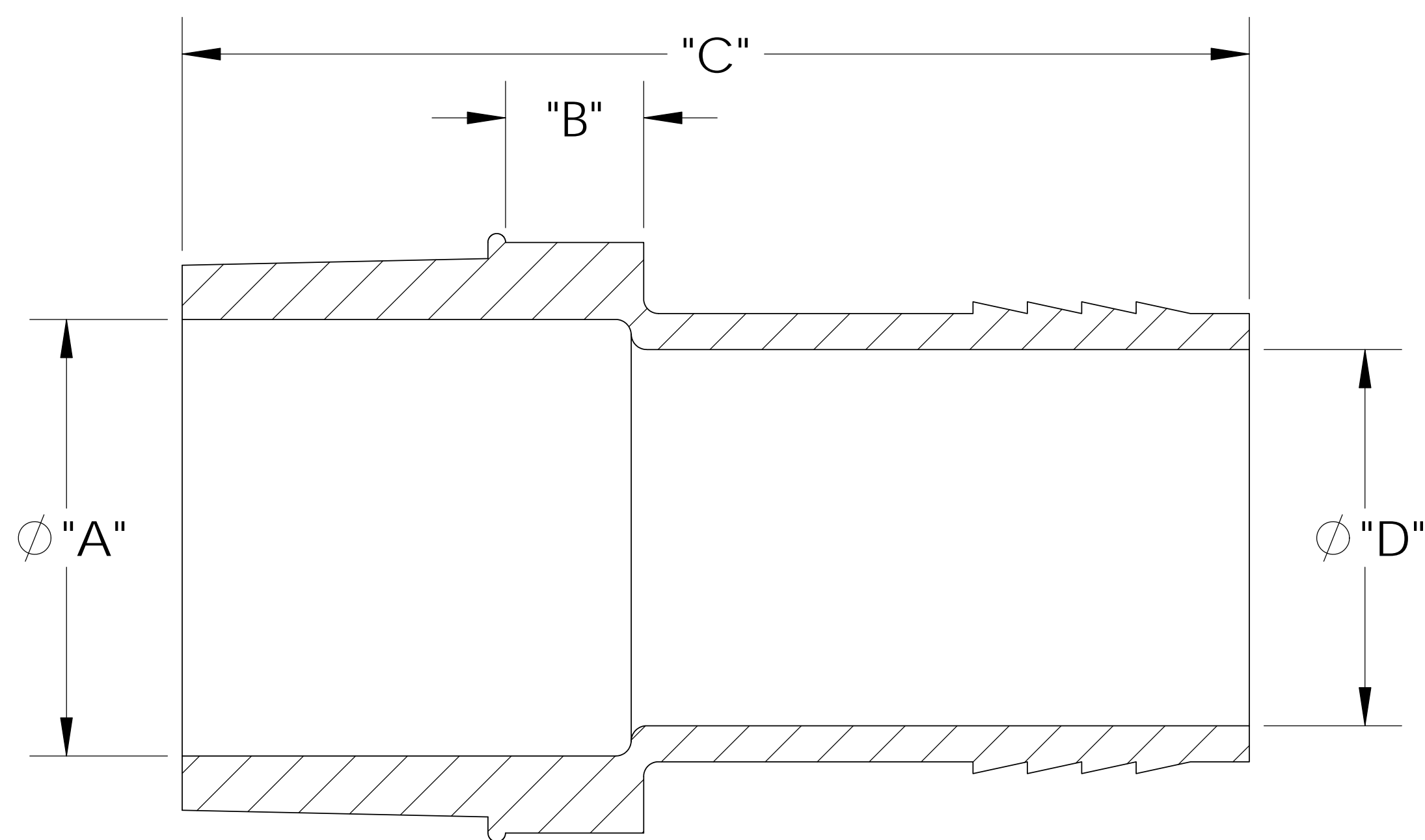
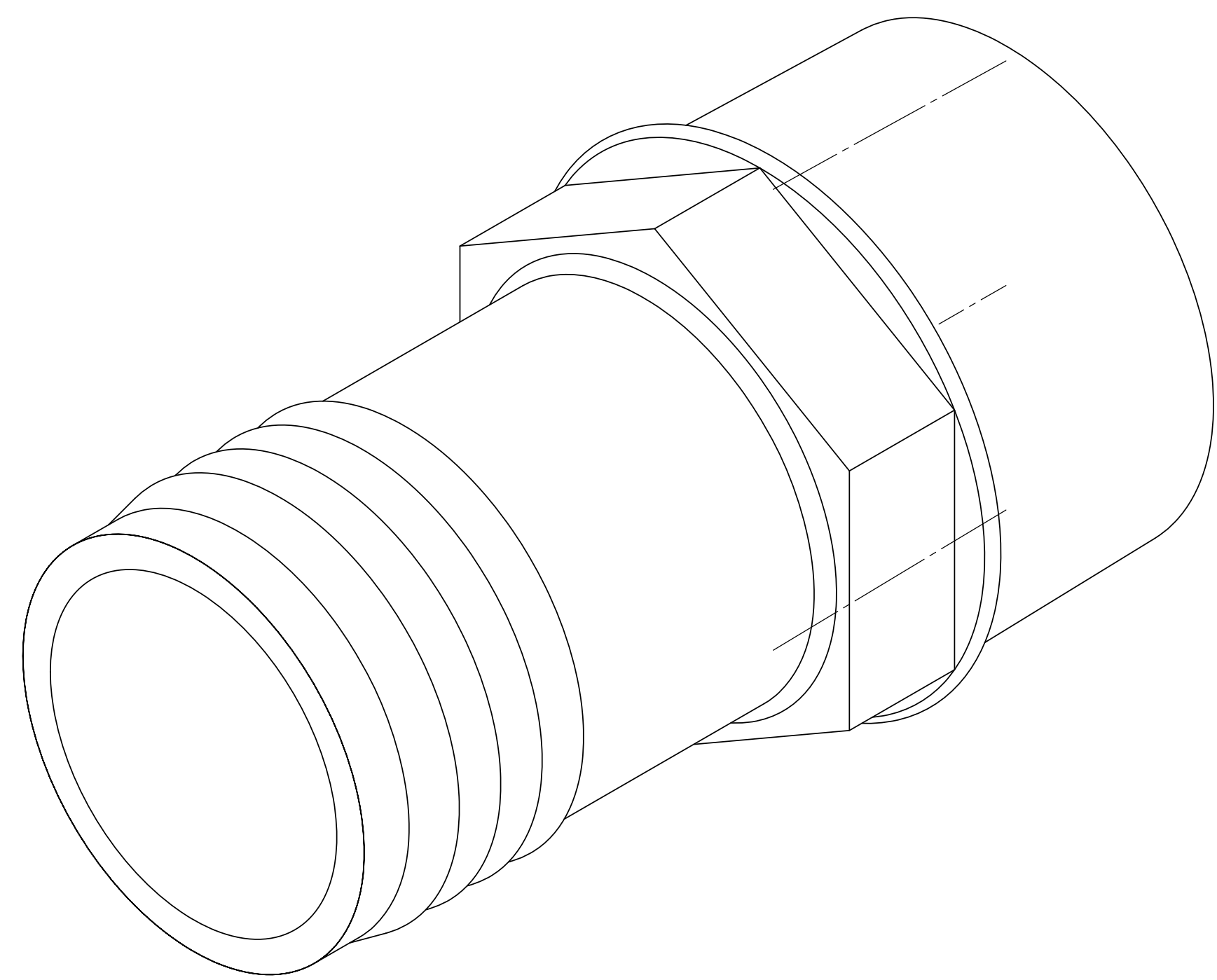
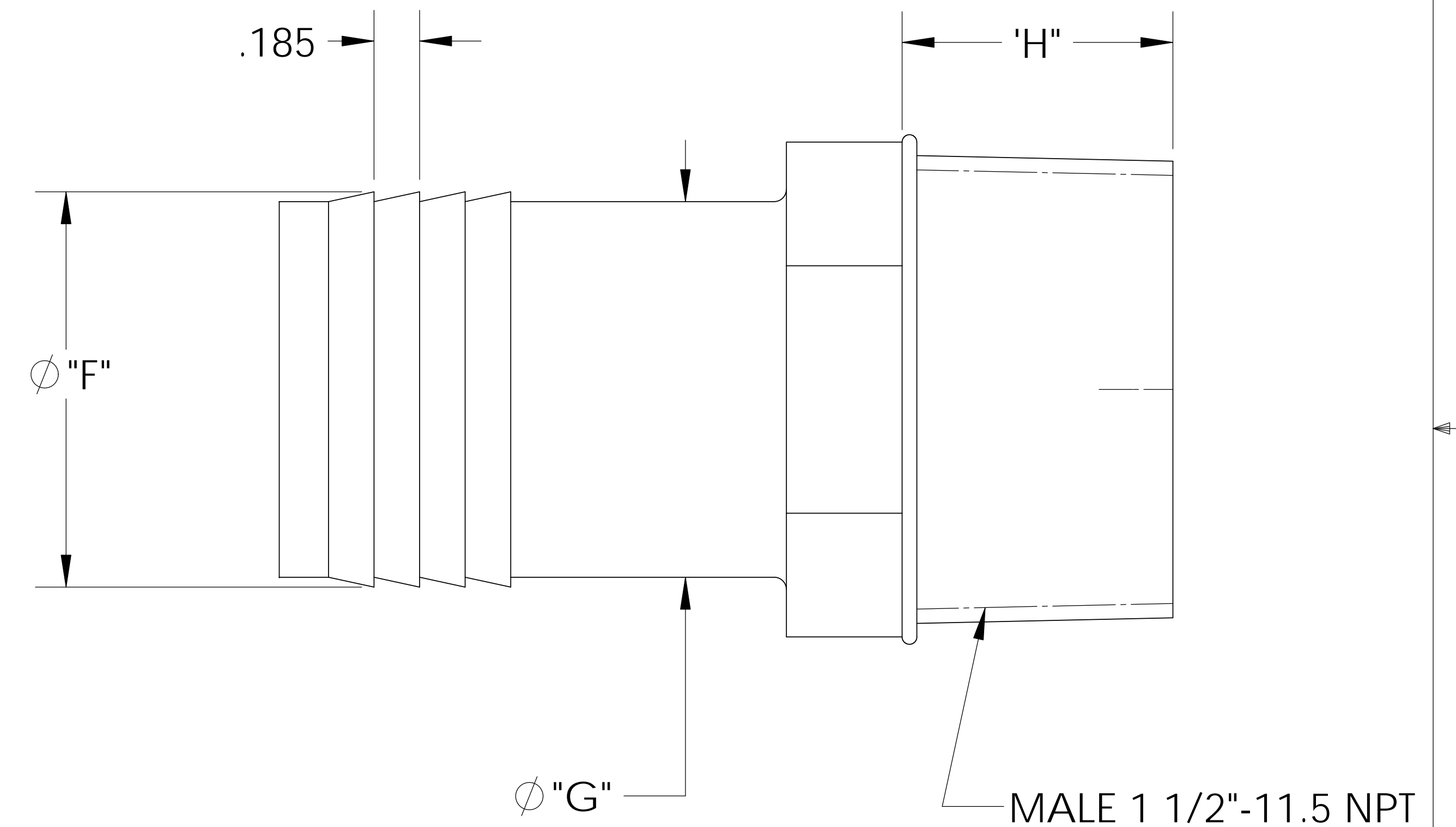
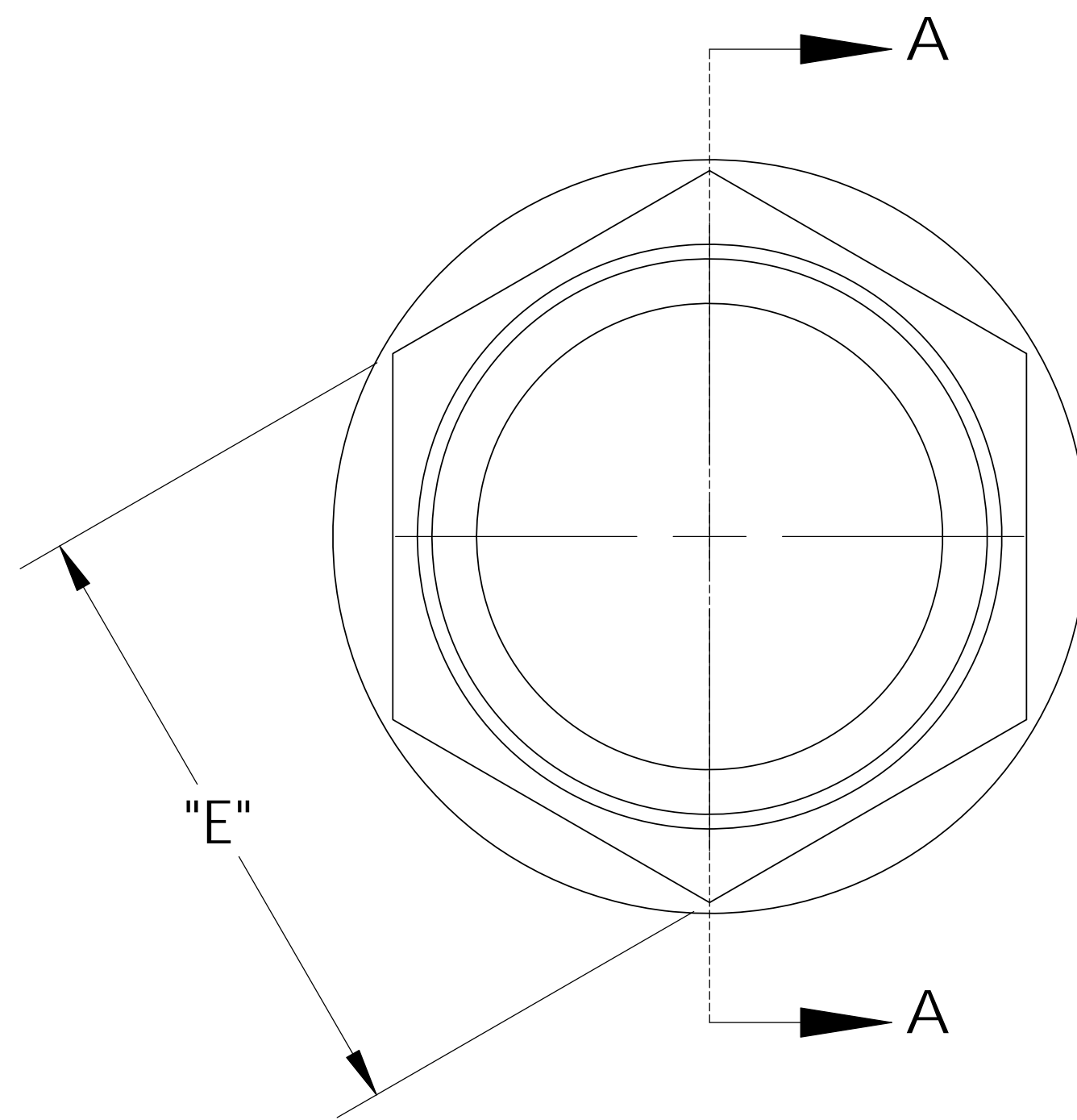


UNCONTROLLED IF PRINTED; CONTROLLED COPY LOCATED IN IQMS DOCUMENT CONTROL



SECTION A-A



MALE 1 1/2"-11.5 NPT

SHOWN

CATALOG NO.	DESCRIPTION	MATERIAL	DIM "A"	DIM "B"	DIM "C"	DIM "D"	DIM "E"	DIM "F"	DIM "G"	DIM "H"
TA102424/PP	1 1/2" NPT X 1 1/2" PP	POLYPROPYLENE	1.475	.465	3.61	1.270	1.73	1.595	1.510	1.15
TA102424/N	1 1/2" NPT X 1 1/2" N	NYLON	1.485	.47	3.63	1.280	1.74	1.605	1.525	1.10

NOTES:

- 1) POLYPROPYLENE HAS COLOR OPTIONS:  
BLACK = TA102424/PPB  
NATURAL = TA102424/PPN

**PROPRIETARY AND CONFIDENTIAL**  
THE INFORMATION CONTAINED IN THIS DRAWING IS THE SOLE PROPERTY OF THOGUS PRODUCTS COMPANY. ANY REPRODUCTION IN PART OR AS A WHOLE WITHOUT THE WRITTEN PERMISSION OF THOGUS PRODUCTS COMPANY IS PROHIBITED.

REV	WRO#	DESCRIPTION
D	95.00072	CONVERTED TO 3D FORMAT
HISTORY		

UNLESS OTHERWISE SPECIFIED:  
DIMENSIONS ARE IN INCHES  
TOLERANCES:  
ANGULAR: ±0.5°  
XX = ± 0.1  
X.XX = ± 0.05  
X.XXX = ± 0.015  
REMOVE ALL SHARP EDGES AND BURRS  
BLEND ALL RADII TO 0.01IN  
INTERPRET GEOMETRIC TOLERANCING PER: ANSI Y 14.5 1994  
MATERIAL: PP, N  
FINISH: NA  
THIRD ANGLE PROJECTION:

NAME	DATE
DRAWN JRM	03/23/11
CHECKED KDJ	3/23/11
ENG APPR.	XX/XX/XX
MFG APPR.	XX/XX/XX
Q.A.	XX/XX/XX

**Thogus** You think it, we can make it...  
33490 PIN OAK, AVON LAKE, OH 44012

TITLE:  
**1 1/2" NPT X 1 1/2" BARB ADAPTER**

SIZE <b>B</b>	DWG. NO. TA102424	REV <b>D</b>
SCALE: 1:1	MASS:	SHEET 1 OF 1

DO NOT SCALE DRAWING