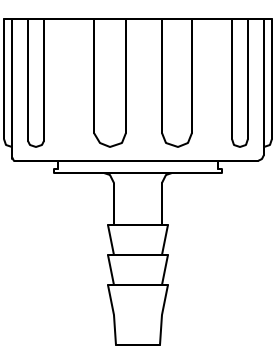
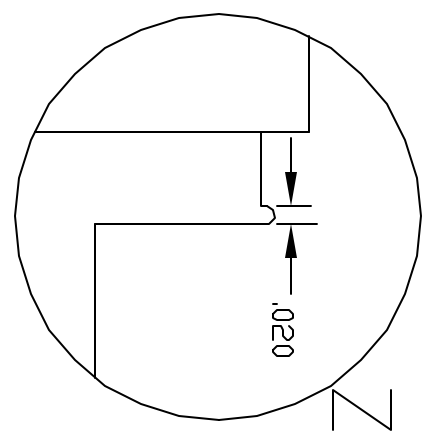
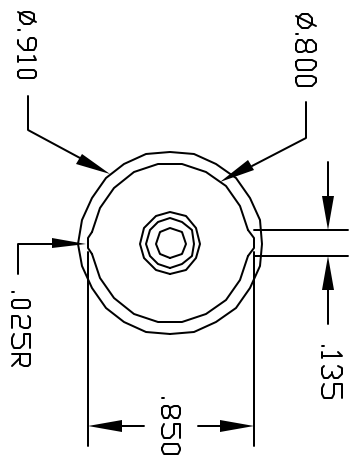
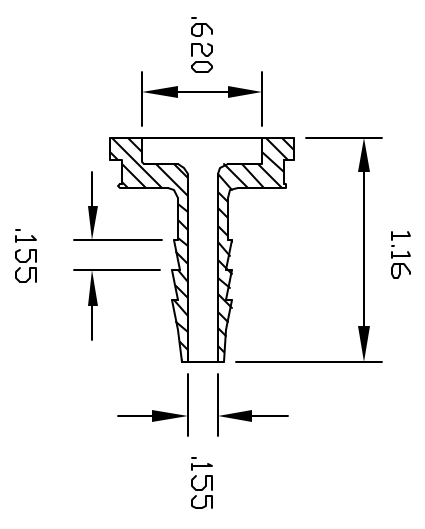
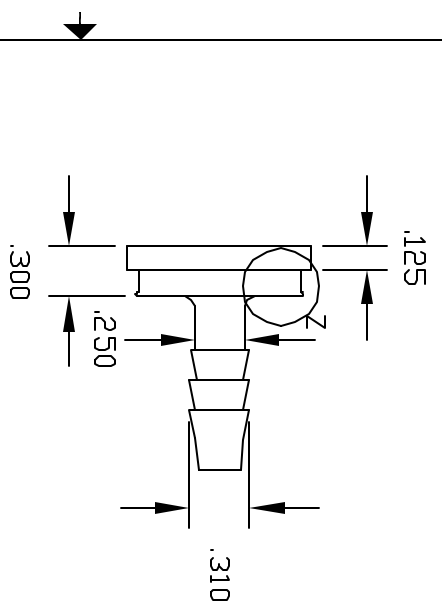


REVISIONS			
REV	DESCRIPTION	DATE	APPROVED
A	DRAWING RELEASE	7/97	7/97
B	REVISE BARB	10/01	10/01
C	UPDATE DWG	9/07	9/07



TYPICAL APPLICATION

CONTROLLED DOCUMENT
ONLY IF IN RED

CONFIDENTIAL
THIS PRINT AND THE SPECIFICATIONS ARE THE PROPERTY OF THOGUS PRODUCTS COMPANY AND HAVE BEEN ISSUED WITH THE UNDERSTANDING THAT IT IS TO BE USED FOR THE MANUFACTURE OF THE PARTS AND WILL BE RETURNED UPON REQUEST.

UNLESS OTHERWISE SPECIFIED DIMENSIONS ARE IN INCHES DECIMAL TOLERANCES SHALL BE: XXX +/- .015		Part Name 1/4 BARB GARDEN HOSE ADAPTER INSERTS
DRAWN FEDAWAY	DATE 7/97	Part Number THOGUS PRODUCTS 33490 PIN OAK PARKWAY AVON LAKE OHIO 44012
MATERIAL NYLON	REV C	SHEET 1 of 1

TO MATE WITH THOGUS
PRODUCTS PART NUMBER
GHN-12/N, FEMALE
GARDEN HOSE THREAD
(3/4" - 11.5)