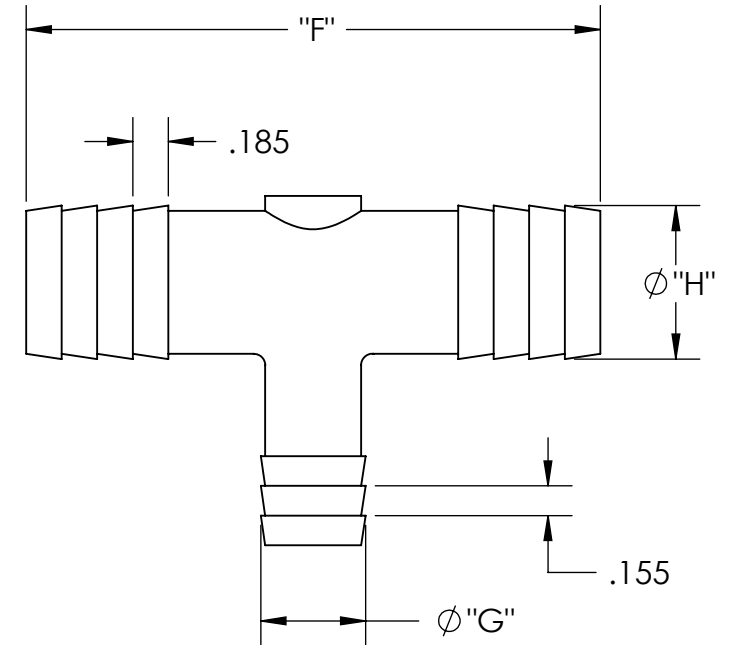
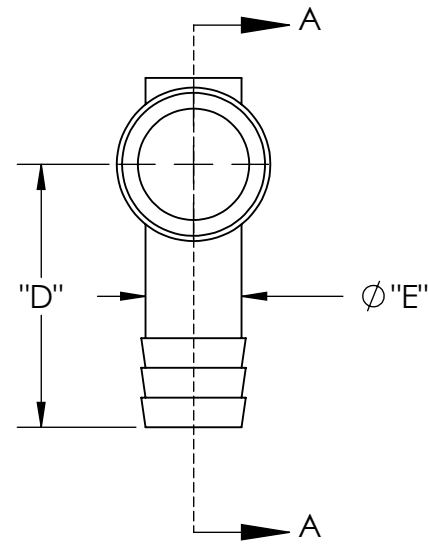


SECTION A-A



CATALOG NO.	DESCRIPTION	MATERIAL	DIM "A"	DIM "B"	DIM "C"	DIM "D"	DIM "E"	DIM "F"	DIM "G"	DIM "H"
TT981212/PP	1/2 X 3/4 X 3/4 PP	POLYPROPYLENE	.570	.370	.730	1.36	.490	2.95	.540	.785
TT981212/P	1/2 X 3/4 X 3/4 P	POLYETHYLENE	.560	.300	.730	1.31	.485	2.91	.530	.785
TT981212/N	1/2 X 3/4 X 3/4 N	NYLON	.580	.375	.745	1.37	.500	2.99	.545	.800

SHOWN

NOTES:

- 1) POLYPROPYLENE HAS COLOR OPTIONS:
 BLACK = TT981212/PPB
 NATURAL = TT981212/PPN

PROPRIETARY AND CONFIDENTIAL
 THE INFORMATION CONTAINED IN THIS DRAWING IS THE SOLE PROPERTY OF THOGUS PRODUCTS COMPANY. ANY REPRODUCTION IN PART OR AS A WHOLE WITHOUT THE WRITTEN PERMISSION OF THOGUS PRODUCTS COMPANY IS PROHIBITED.

E		95.00053	CONVERTED TO 3D FORMAT	UNLESS OTHERWISE SPECIFIED: DIMENSIONS ARE IN INCHES TOLERANCES: ANGULAR: $\pm 0.5^\circ$ X.X = ± 0.1 X.XX = ± 0.05 X.XXX = ± 0.015 REMOVE ALL SHARP EDGES AND BURRS BLEND ALL RADII TO 0.01IN INTERPRET GEOMETRIC TOLERANCING PER: ANSI Y 14.5 1994	NAME	DATE	 33490 PIN OAK, AVON LAKE, OH 44012 TITLE: 1/2 BARB X 3/4 BARB X 3/4 BARB TEE		
DRAWN		KDJ			12/23/10				
CHECKED		KDJ			12/23/10				
ENG APPR.					XX/XX/XX				
MFG APPR.					XX/XX/XX				
Q.A.				XX/XX/XX	COMMENTS: DO NOT SCALE DRAWING	SIZE B	DWG. NO. TT981212	REV E	
REV		WRO#	DESCRIPTION	THIRD ANGLE PROJECTION:		SCALE: 1:1	MASS:	SHEET 1 OF 1	
HISTORY									