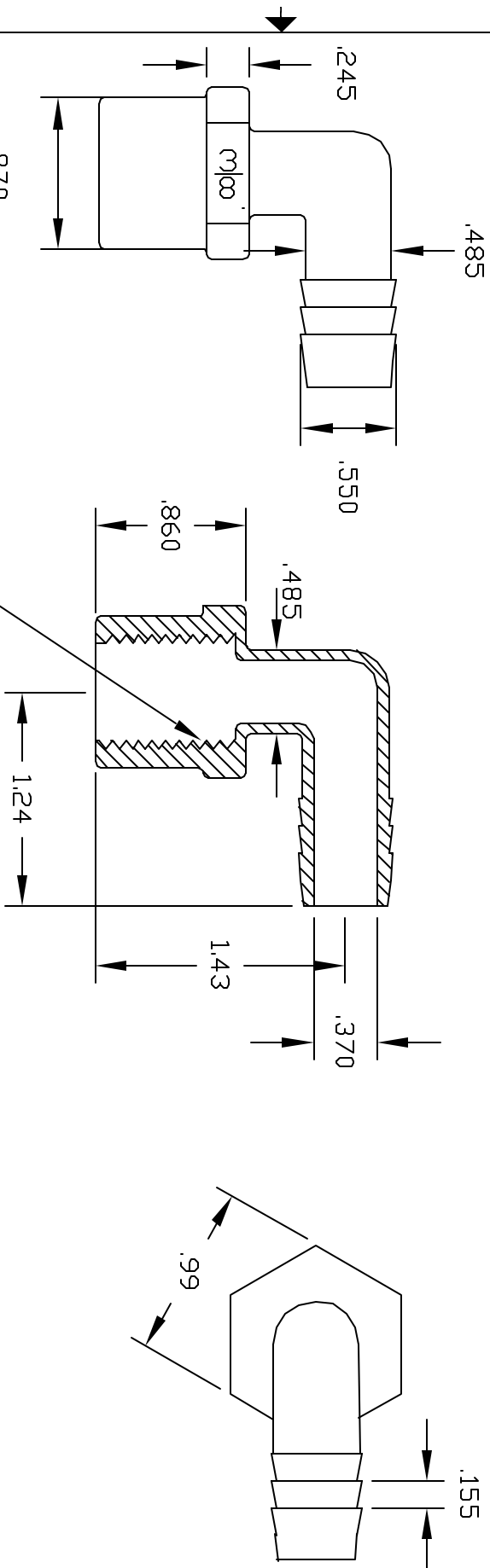


REV	DESCRIPTION	DATE	APPROVED
A	REDRAWN & RELEASED	10/01	10/01
B	.875 WAS .750 1.452 WAS 1.327	11/01	

REVISIONS



CONTROLLED DOCUMENT  
ONLY IF IN RED

**DISCLAIMER**  
THIS PRINT AND THE SPECIFICATIONS HEREIN ARE THE PROPERTY OF THOGUS PRODUCTS COMPANY AND HAVE BEEN ISSUED WITH THE UNDERSTANDING THAT IT WILL NOT BE REPRODUCED, MANUFACTURED OR USED FOR THE MANUFACTURE FOR OTHERS AND WILL BE RETURNED UPON REQUEST.

UNLESS OTHERWISE SPECIFIED DIMENSIONS ARE IN INCHES		Part Name	
DECIMALS	TOLERANCES	3/8NPT FEMALE X 1/2 BARB FEMALE ELBOW	
XX +/- .005	ANGULAR	THOGUS PRODUCTS	
XXX +/- .015		33597 PIN OAK PARKWAY	
		AVON LAKE OHIO 44012	
DRWN	FILENAME	Part Number	REV
BM	TEF2068PPB	TEF2068/PPB	B
MATERIAL	POLYPROPYLENE BLK	SCALE	SHEET
		1:1	1 OF 1