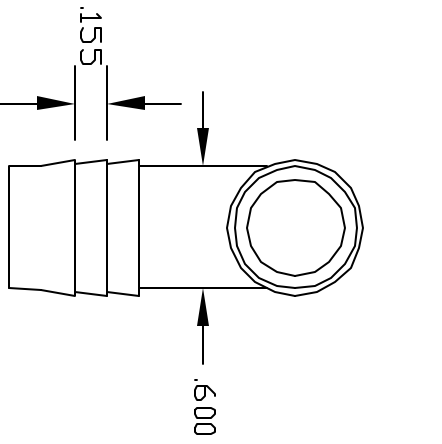
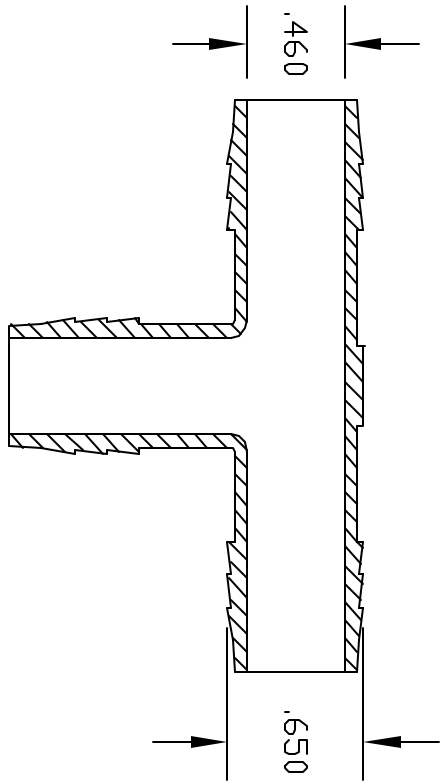
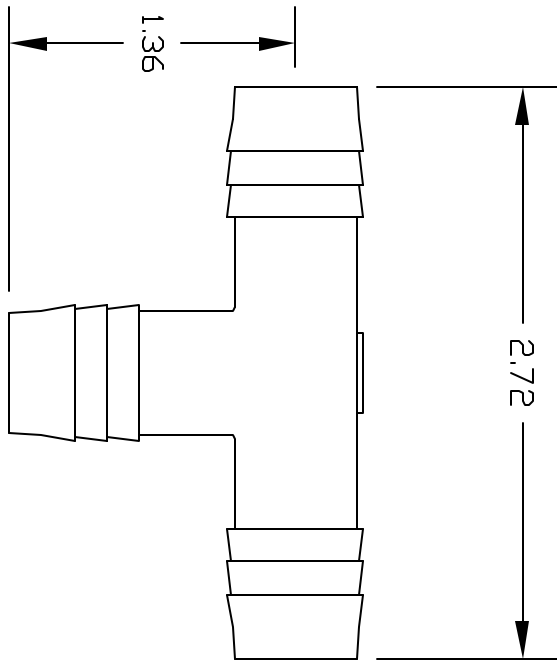


REV	DESCRIPTION	DATE	APPROVED
A	REDRAWN & RELEASED	5/98	5/98
B	REVISE BARBS/LENGTHEN	6/01	BM
C	.615 WAS .620	6/01	BM
D	UPDATE DWG	9/07	9/07



COLOR: BLACK (PPB)

NATURAL (PPN)

UNLESS OTHERWISE SPECIFIED DIMENSIONS ARE IN INCHES DECIMALS ANGULAR XX +/- .05 XXX +/- .015		PART NAME: 5/8 BARB X 5/8 BARB X 5/8 BARB TEE
DRAWN BM	DATE 6/00	THOGUS PRODUCTS 33490 PIN OAK PARKWAY AVON LAKE OHIO 44012
THIS PRINT AND THE SPECIFICATIONS ARE THE PROPERTY OF THOGUS PRODUCTS COMPANY AND HAVE BEEN ISSUED WITH THE UNDERSTANDING THAT IT WILL NOT BE REPRODUCED, REVEALED TO OR USED FOR THE MANUFACTURE FOR OTHERS AND WILL BE RETURNED UPON REQUEST.	DRAWING NUMBER: 9101010PP	PART NUMBER: TT9101010/PP
MATERIAL: POLYPROPYLENE	SHEET 1 OF 1	REV D

CONTROLLED DOCUMENT  
ONLY IF IN RED