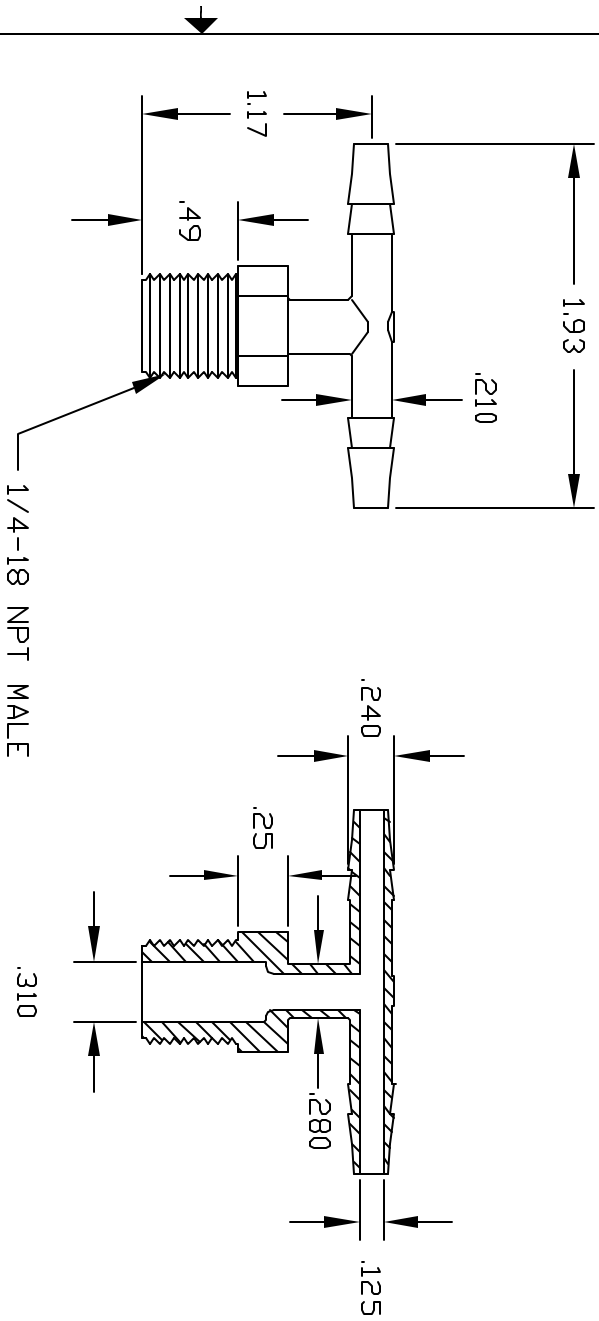
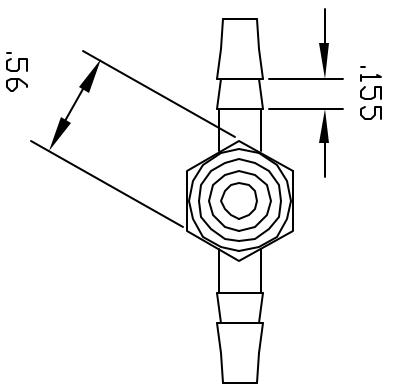


REVISIONS			
REV	DESCRIPTION	DATE	APPROVED
A	DRAWN AND RELEASED	4/98	4/98
B	MODIFY BARBS	12/06	12/06
C	UPDATE DWG	9/07	9/07



1/4-18 NPT MALE



CONTROLLED DOCUMENT  
ONLY IF IN RED

UNLESS OTHERWISE SPECIFIED DIMENSIONS ARE IN INCHES TOLERANCES ARE: DECIMALS .005 FRACTIONS .005 ANGLES .05		Part Name: 1/4NPT X 3/16 BARB X 3/16 BARB TEE	
DRAWN NM	DATE 4/98	THOGUS PRODUCTS 33490 PIN DAK PARKWAY AVON LAKE OHIO 44012	
DESIGNED 3433N	MATERIAL NYLON	Part Number: TT3433/N	REV C
SHEET 1 of 1			