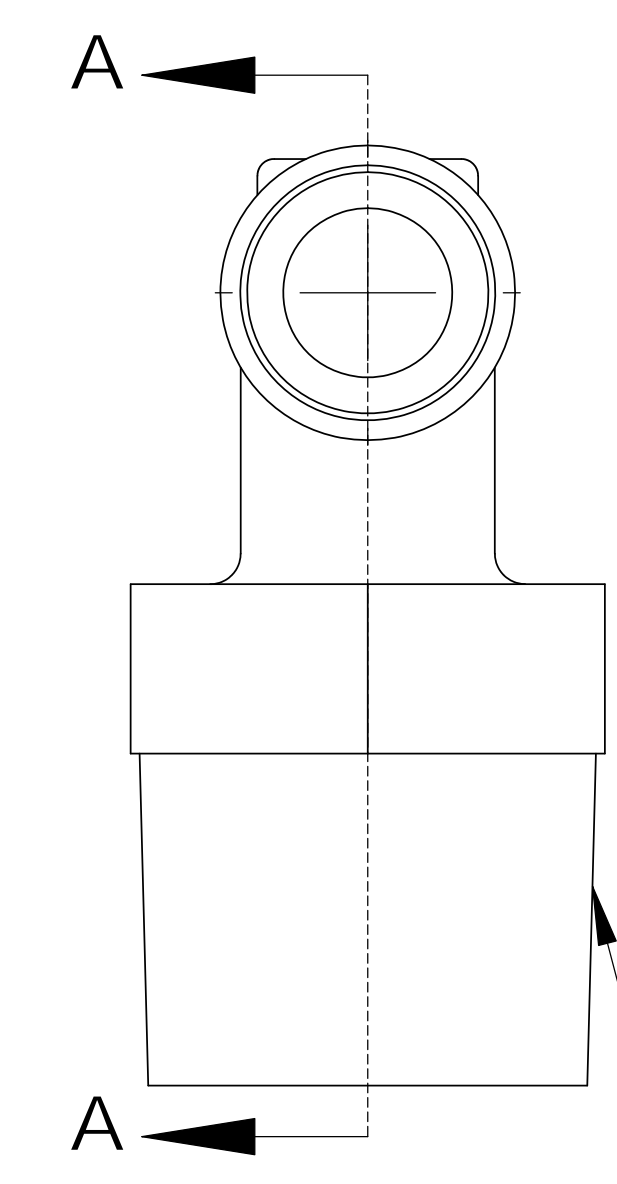
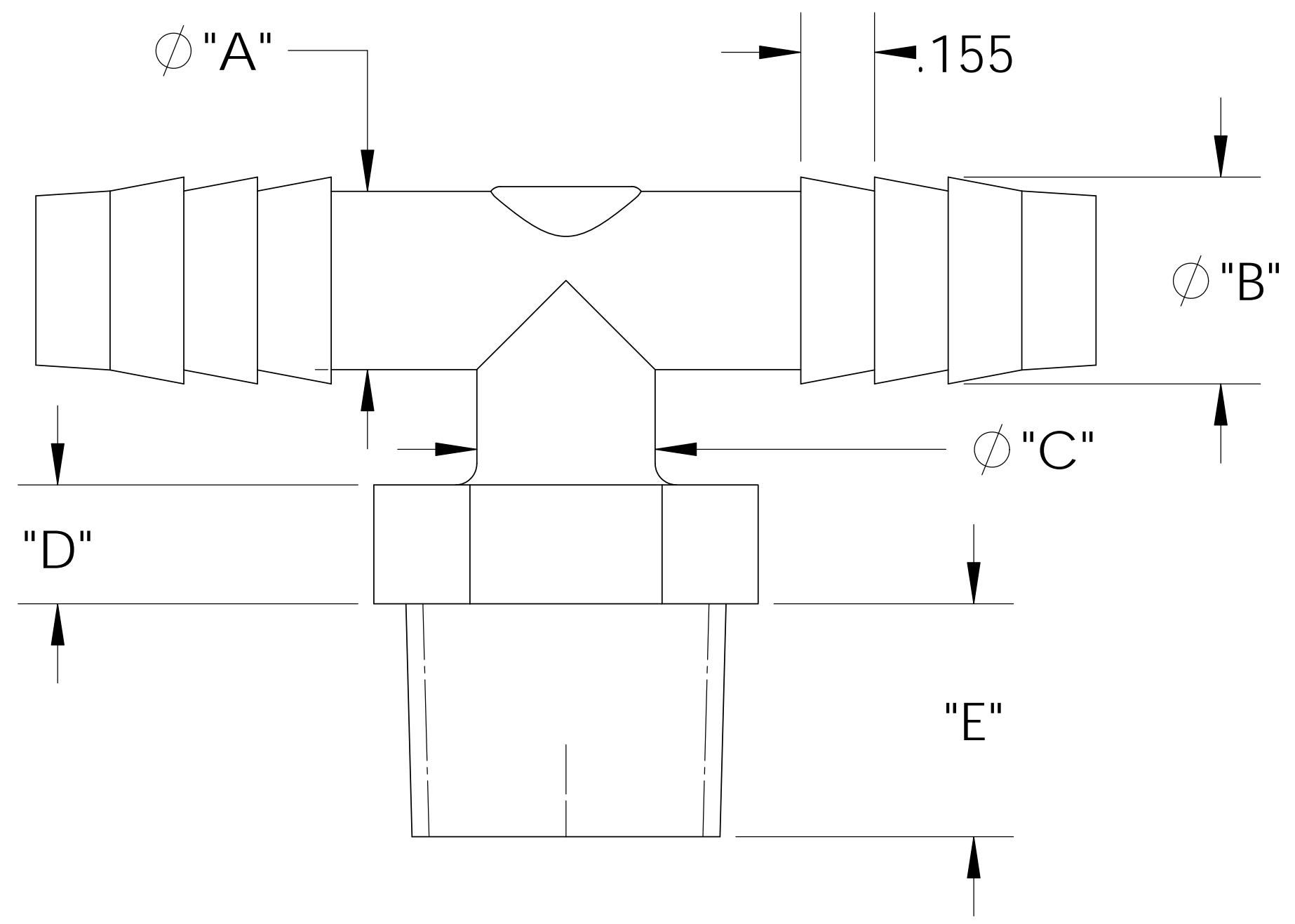
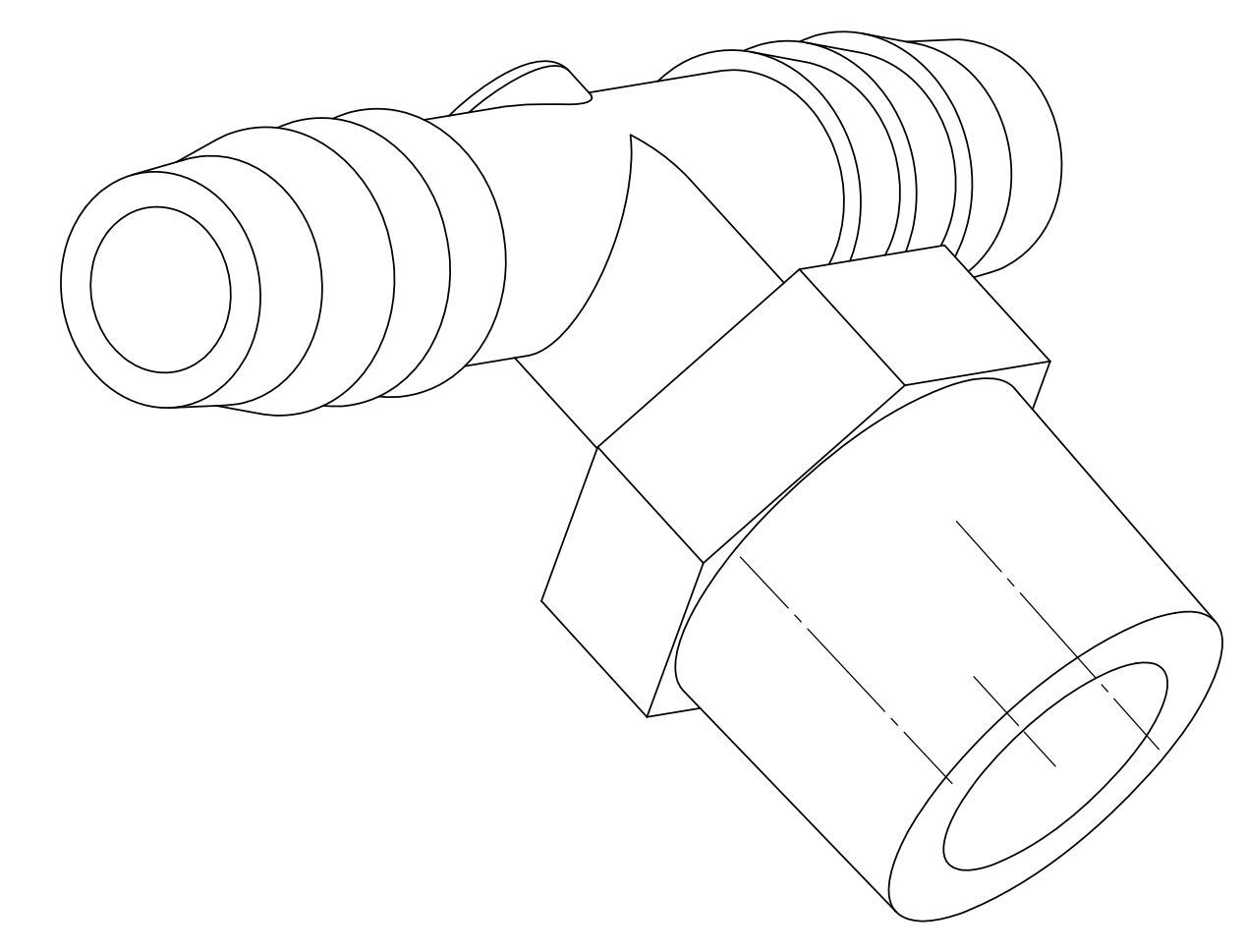
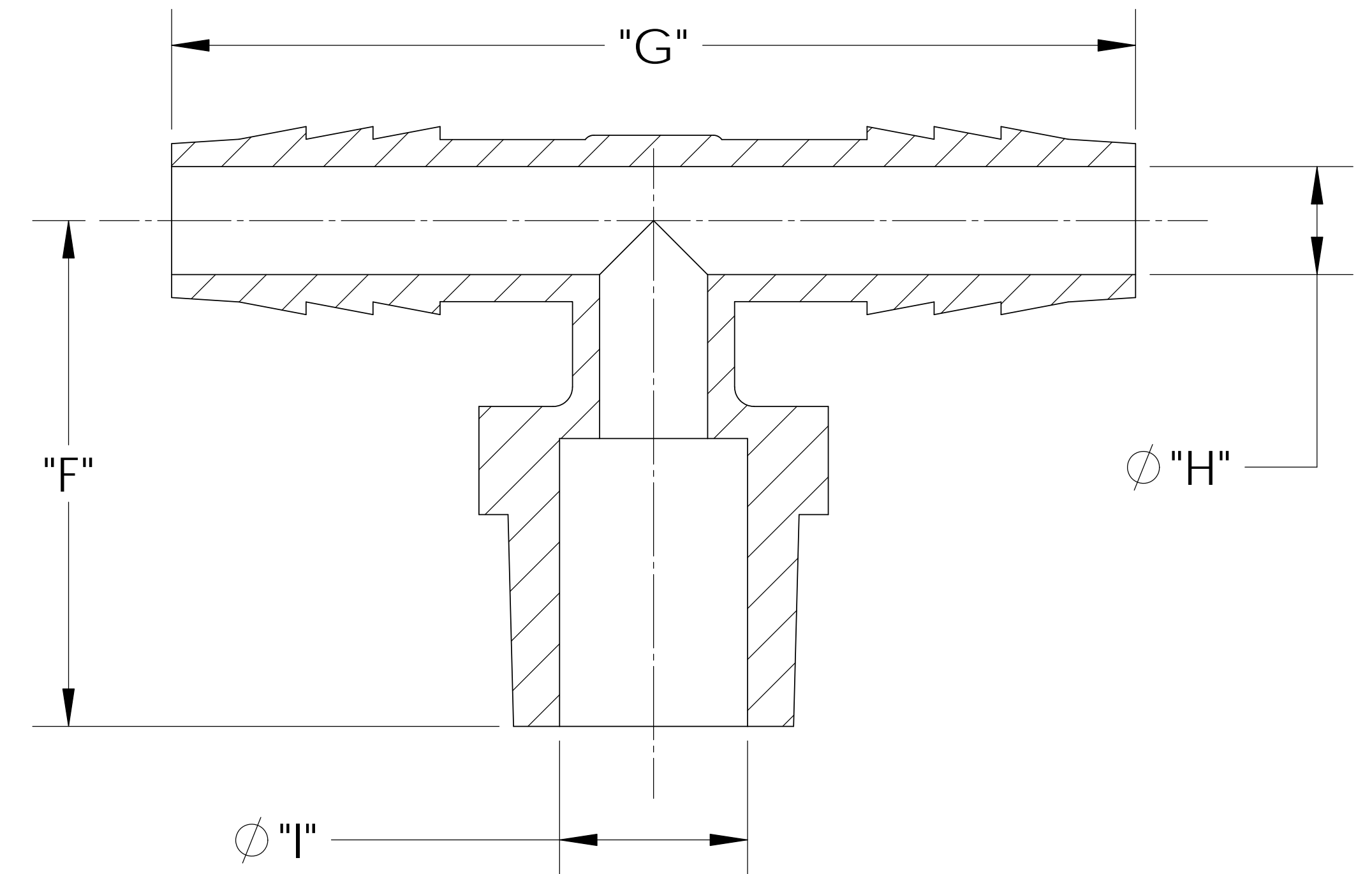


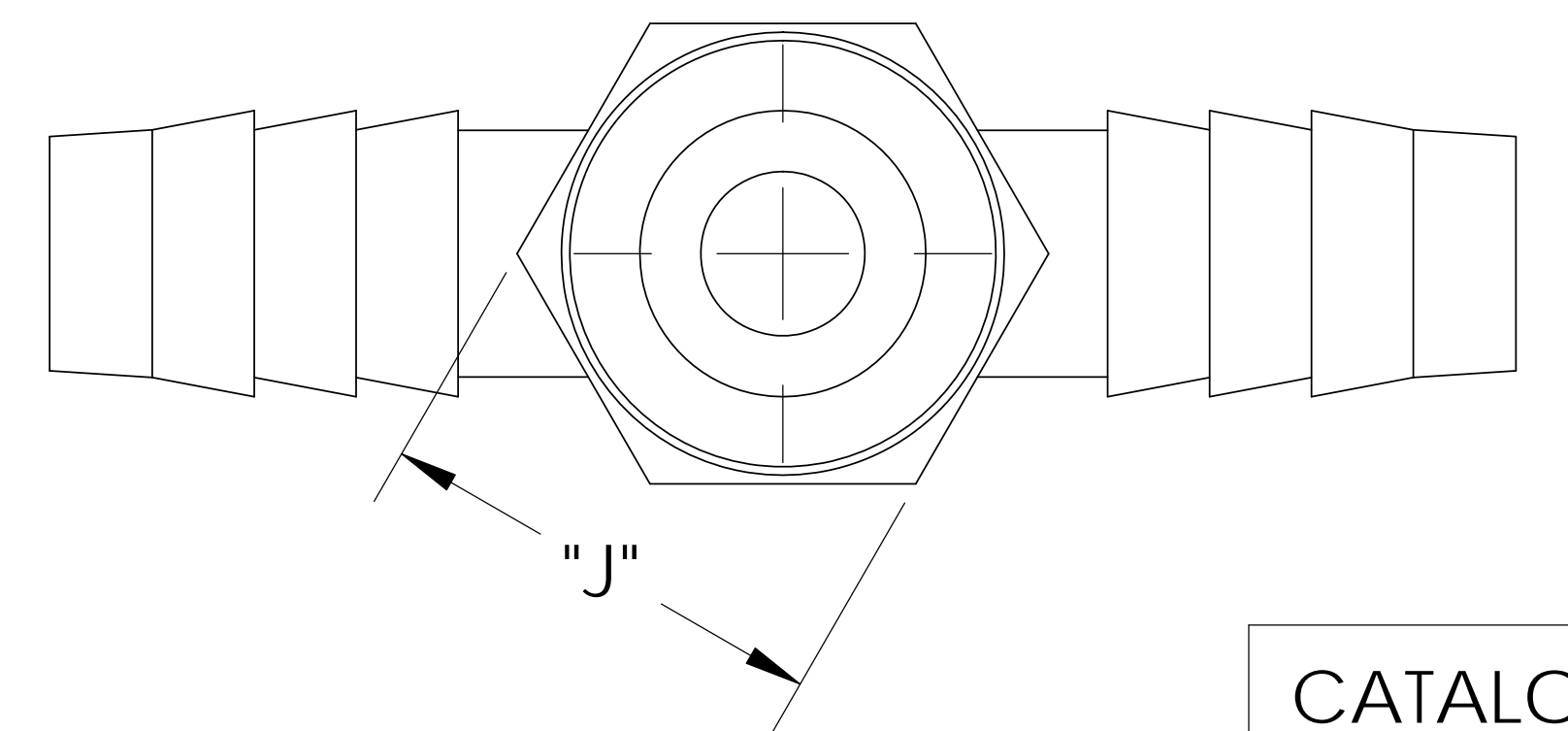
8 7 6 5 4 3 2 1



MALE 3/8"-18 NPT



SECTION A-A



SHOWN

CATALOG NO.	DESCRIPTION	MATERIAL	DIM "A"	DIM "B"	DIM "C"	DIM "D"	DIM "E"	DIM "F"	DIM "G"	DIM "H"	DIM "I"	DIM "J"
TT3466/PP	3/8" X 3/8" X 3/8" PP	POLYPROPYLENE	.370	.430	.365	.25	.49	1.17	2.21	.245	.430	.69
TT3466/P	3/8" X 3/8" X 3/8" P	POLYETHYLENE	.370	.430	.370	.24	.47	1.13	2.16	.240	.420	.69
TT3466/N	3/8" X 3/8" X 3/8" N	NYLON	.375	.435	.375	.25	.49	1.17	2.23	.250	.435	.70

NOTES:

- 1) POLYPROPYLENE HAS COLOR OPTIONS:  
 BLACK = TT3666/PPB  
 NATURAL = TT3666/PPN

**PROPRIETARY AND CONFIDENTIAL**  
 THE INFORMATION CONTAINED IN THIS DRAWING IS THE SOLE PROPERTY OF THOGUS PRODUCTS COMPANY. ANY REPRODUCTION IN PART OR AS A WHOLE WITHOUT THE WRITTEN PERMISSION OF THOGUS PRODUCTS COMPANY IS PROHIBITED.

REV	WRO#	DESCRIPTION
D	95.00132	CONVERTED TO 3D FORMAT
HISTORY		

UNLESS OTHERWISE SPECIFIED:  
 DIMENSIONS ARE IN INCHES  
 TOLERANCES:  
 ANGULAR:  $\pm 0.5^\circ$   
 X.X =  $\pm 0.1$   
 X.XX =  $\pm 0.05$   
 X.XXX =  $\pm 0.015$   
 REMOVE ALL SHARP EDGES AND BURRS  
 BLEND ALL RADII TO 0.01IN  
 INTERPRET GEOMETRIC TOLERANCING PER: ANSI Y 14.5 1994  
 MATERIAL: PP, P, N  
 FINISH: NA  
 THIRD ANGLE PROJECTION:

	NAME	DATE
DRAWN	JRM	05/25/11
CHECKED	KDJ	05/25/11
ENG APPR.		XX/XX/XX
MFG APPR.		XX/XX/XX
Q.A.		XX/XX/XX
COMMENTS:		

**Thogus** You think it, we can make it...  
 33490 PIN OAK, AVON LAKE, OH 44012

TITLE:  
**3/8" NPT X 3/8" BARB X 3/8" BARB TEE**

SIZE <b>B</b>	DWG. NO. TT3666	REV <b>D</b>
SCALE: 3:2	MASS:	SHEET 1 OF 1

8 7 6 5 4 3 2 1