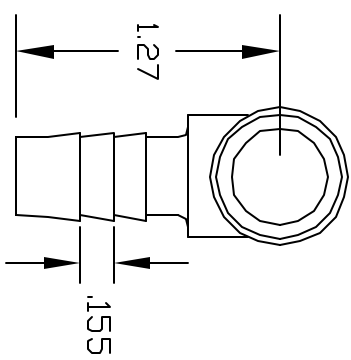
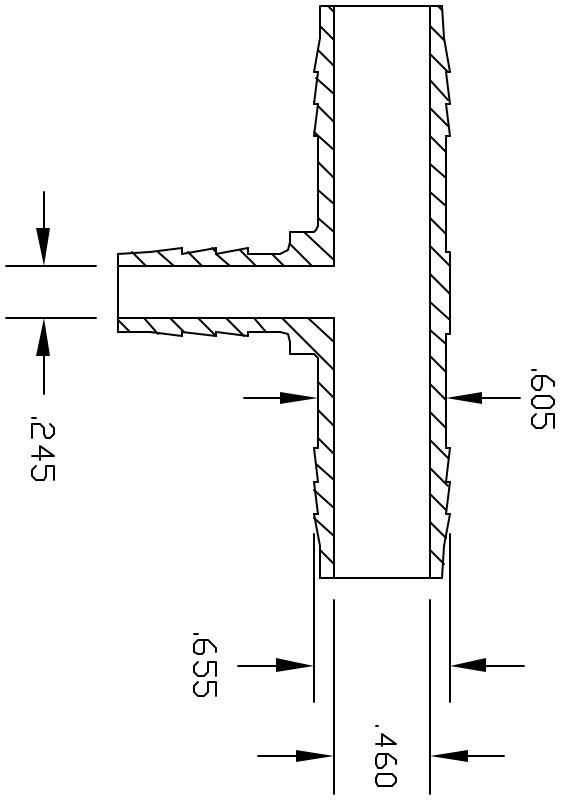
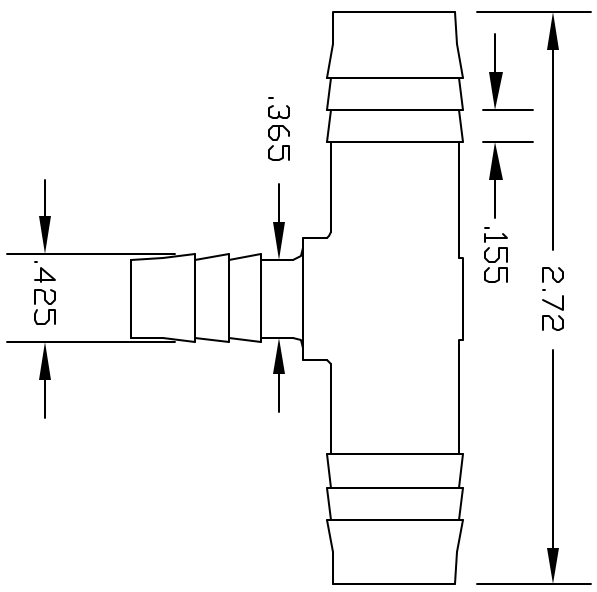


REV	DESCRIPTION	DATE	APPROVED
A	REDRAWN & RELEASED	5/98	5/98
B	UPDATE DRAWING	6/00	6/00
C	MODIFY BARBS	3/07	3/07
D	UPDATE DWG	9/07	9/07



COLOR: BLACK (PPB)  
NATURAL (PPN)

UNLESS OTHERWISE SPECIFIED DIMENSIONS ARE IN INCHES		PART NAME: 3/8 BARB X 5/8 BARB X 5/8 BARB TEE	
DECIMALS .XX	TOLERANCES ±.005	THOGUS PRODUCTS 33490 PIN OAK PARKWAY AVON LAKE OHIO 44012	
ANGLES ±.05		DRAWN: BM DATE: 6/00	
DRAWN: BM		PART NUMBER: TT961010/PP	
MATERIAL: NATURAL POLYPROPYLENE		SCALE: 1:1	SHEET 1 OF 1
THIS PRINT AND THE SPECIFICATIONS HEREIN ARE THE PROPERTY OF THOGUS PRODUCTS. NO PART OF THIS DRAWING SHALL BE REPRODUCED OR TRANSMITTED IN ANY FORM OR BY ANY MEANS ELECTRONIC OR MECHANICAL, INCLUDING PHOTOCOPYING, RECORDING, OR BY ANY INFORMATION STORAGE AND RETRIEVAL SYSTEM, WITHOUT THE WRITTEN PERMISSION OF THOGUS PRODUCTS. ANY UNAUTHORIZED REPRODUCTION OR USE OF THIS DRAWING IS PROHIBITED AND WILL BE RETURNED UPON REQUEST.		REV: D	

CONTROLLED DOCUMENT  
ONLY IF IN RED