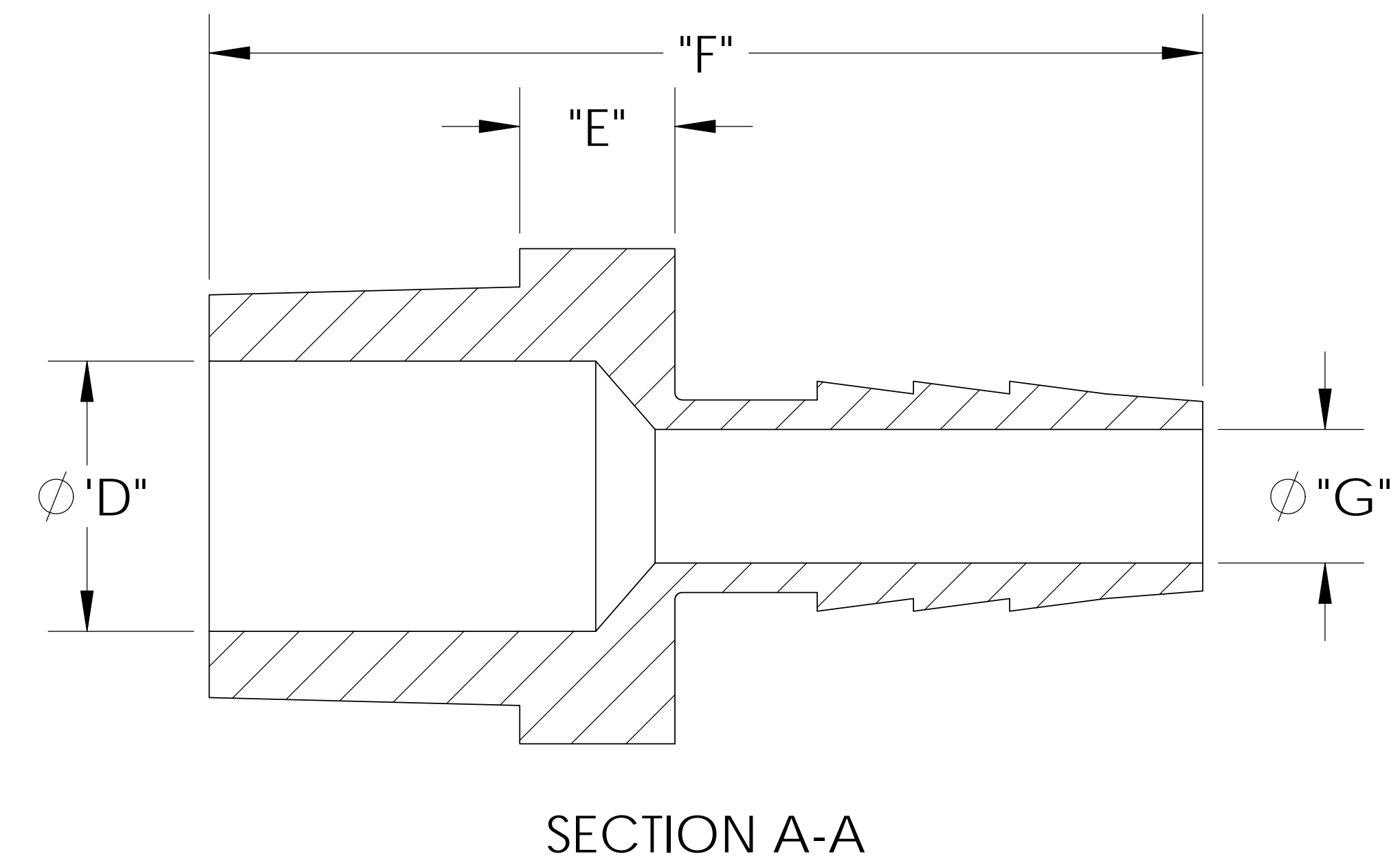
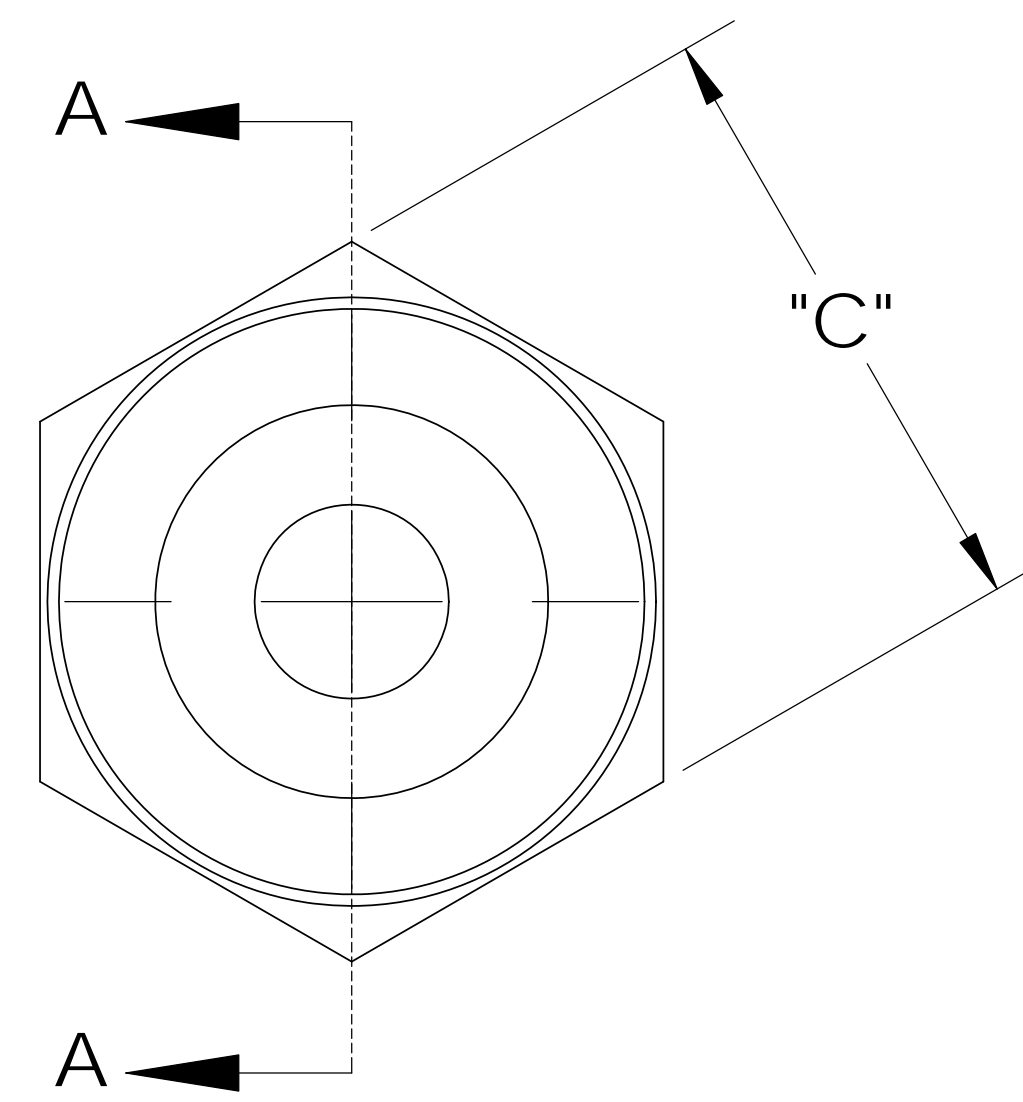
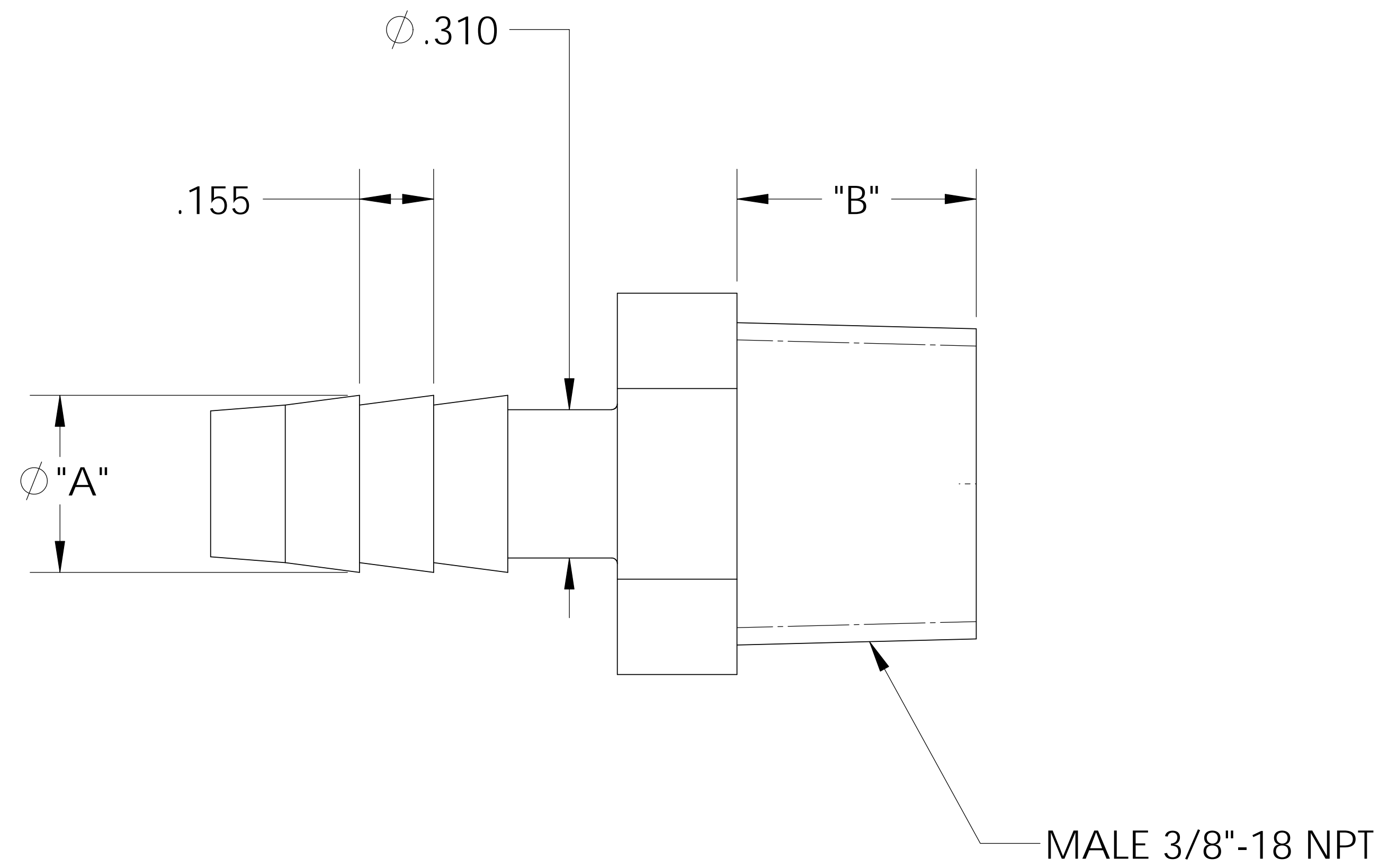
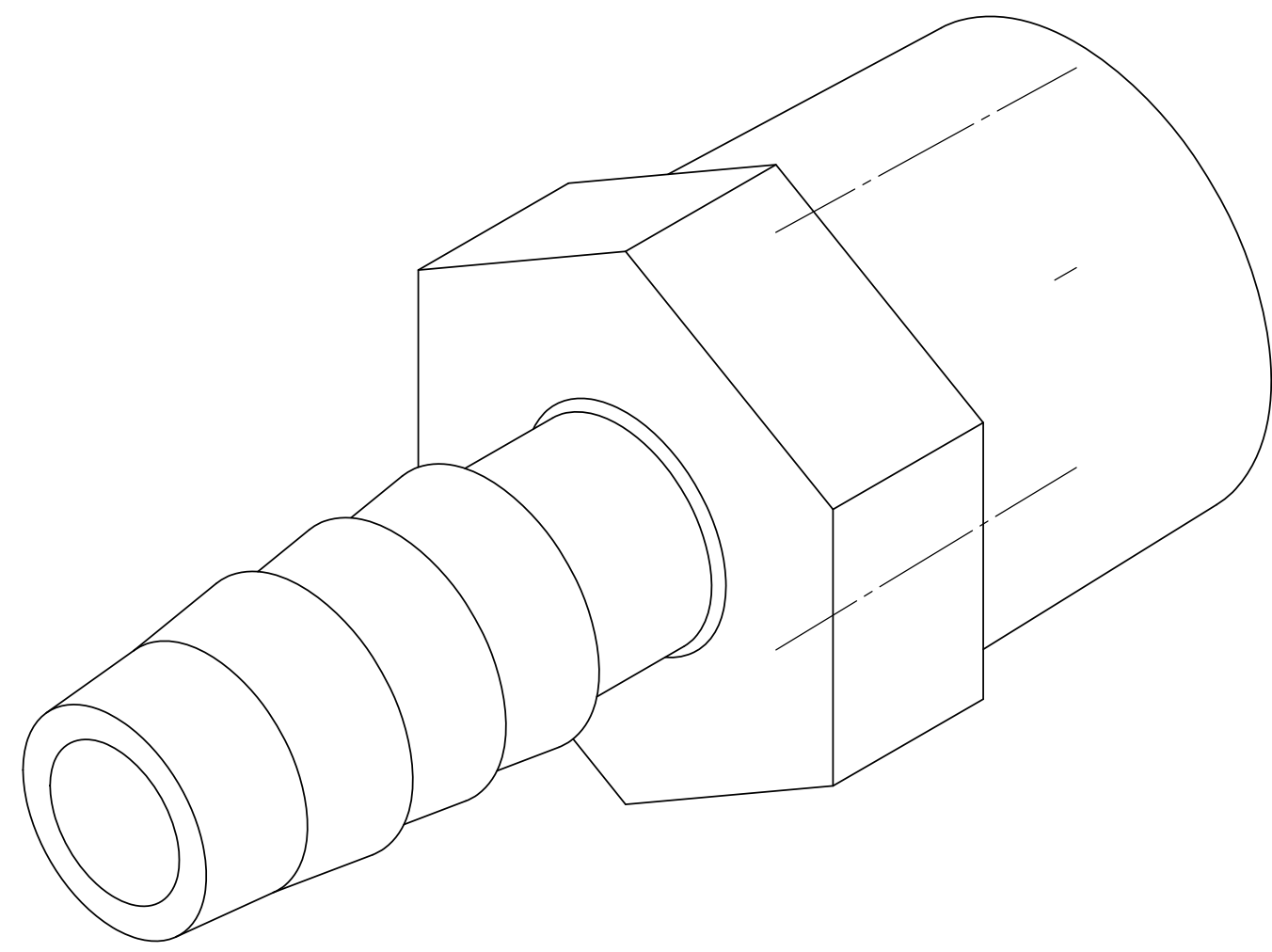


UNCONTROLLED IF PRINTED; CONTROLLED COPY LOCATED IN IQMS DOCUMENT CONTROL



CATALOG NO.	DESCRIPTION	MATERIAL	DIM "A"	DIM "B"	DIM "C"	DIM "D"	DIM "E"	DIM "F"	DIM "G"
TA1065/PP	3/8" NPT X 5/16" PP	POLYPROPYLENE	.365	.50	.69	.430	.245	1.60	.210
TA1065/P	3/8" NPT X 5/16" P	POLYETHYLENE	.365	.49	.68	.420	.245	1.57	.215
TA1065/N	3/8" NPT X 5/16" N	NYLON	.370	.50	.69	.435	.250	1.60	.215

SHOWN

NOTES:

- 1) POLYPROPYLENE HAS COLOR OPTIONS:  
 BLACK = TA1065/PPB  
 NATURAL = TA1065/PPN

**PROPRIETARY AND CONFIDENTIAL**  
 THE INFORMATION CONTAINED IN THIS DRAWING IS THE SOLE PROPERTY OF THOGUS PRODUCTS COMPANY. ANY REPRODUCTION IN PART OR AS A WHOLE WITHOUT THE WRITTEN PERMISSION OF THOGUS PRODUCTS COMPANY IS PROHIBITED.

REV	WRO#	DESCRIPTION
D	95.00072	CONVERTED TO 3D FORMAT
HISTORY		

UNLESS OTHERWISE SPECIFIED:  
 DIMENSIONS ARE IN INCHES  
 TOLERANCES:  
 ANGULAR: ±0.5°  
 XX = ± 0.1  
 X.XX = ± 0.05  
 X.XXX = ± 0.015  
 REMOVE ALL SHARP EDGES AND BURRS  
 BLEND ALL RADII TO 0.01IN  
 INTERPRET GEOMETRIC TOLERANCING PER: ANSI Y 14.5 1994  
 MATERIAL: PP, P, N  
 FINISH: NA  
 THIRD ANGLE PROJECTION:

	NAME	DATE
DRAWN	JRM	03/17/11
CHECKED	KDJ	3/17/11
ENG APPR.	JM	3/17/11
MFG APPR.	ML	3/18/11
Q.A.	NJW	3/18/11

**Thogus** You think it, we can make it...  
 33490 PIN OAK, AVON LAKE, OH 44012

TITLE: **3/8" NPT X 5/16" BARB ADAPTER**

SIZE <b>B</b>	DWG. NO. <b>TA1065</b>	REV <b>D</b>
SCALE: 2:1	MASS:	SHEET 1 OF 1

DO NOT SCALE DRAWING