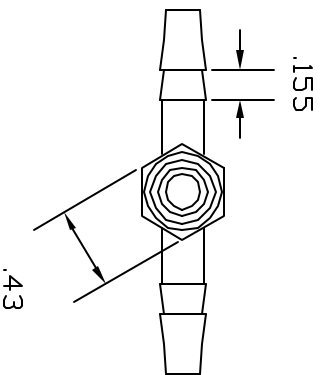
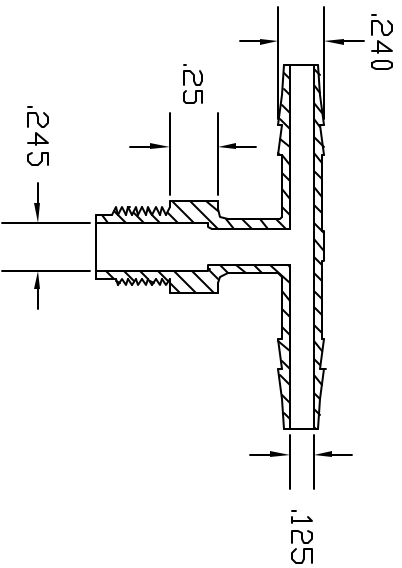
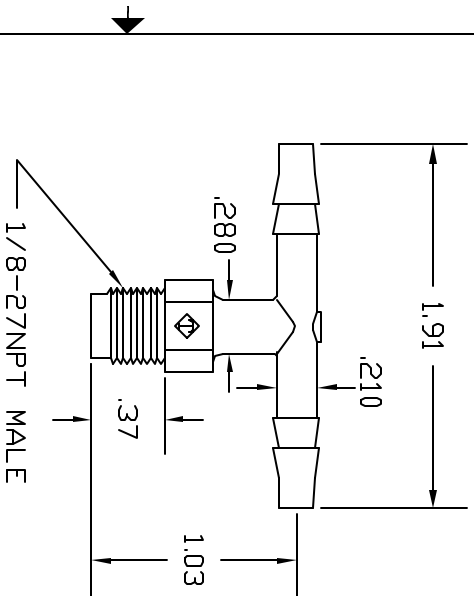


REVISIONS			
REV	DESCRIPTION	DATE	APPROVED
A	DRAWN AND RELEASED	4/98	4/98
B	MODIFY BARBS	12/06	12/06



COLOR: BLACK (PPB)
NATURAL (PPN)

UNLESS OTHERWISE SPECIFIED DIMENSIONS ARE IN INCHES TOLERANCES ANGULAR DECIMALS .XX \pm .05 .XXX \pm .015 DRAWN N M DATE 4/98		Part Number 1/8NPT X 3/16 BARB X 3/16 BARB TEE
THOGUS PRODUCTS	33490 PIN DAK PARKWAY AVON LAKE OHIO 44012	
Part Number 3233PP	Part Number T3233/PP	REV B
MATERIAL POLYPROPYLENE	SCALE 1:1	SHEET 1 of 1

CONTROLLED DOCUMENT
ONLY IF IN RED