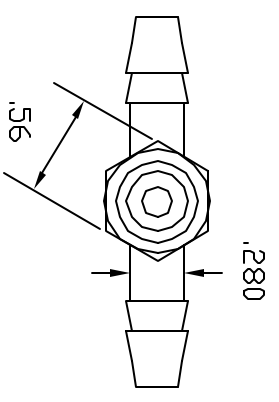
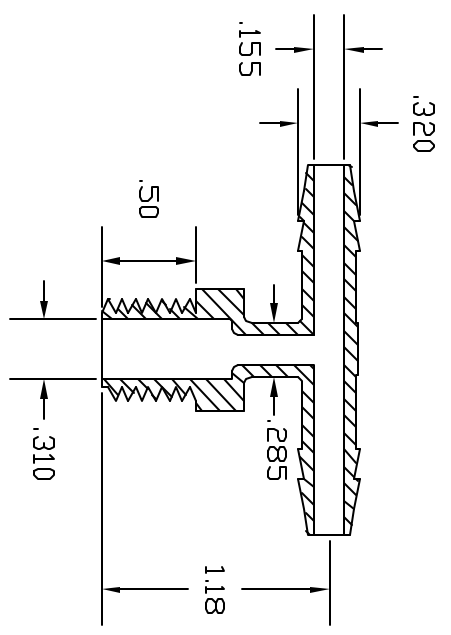
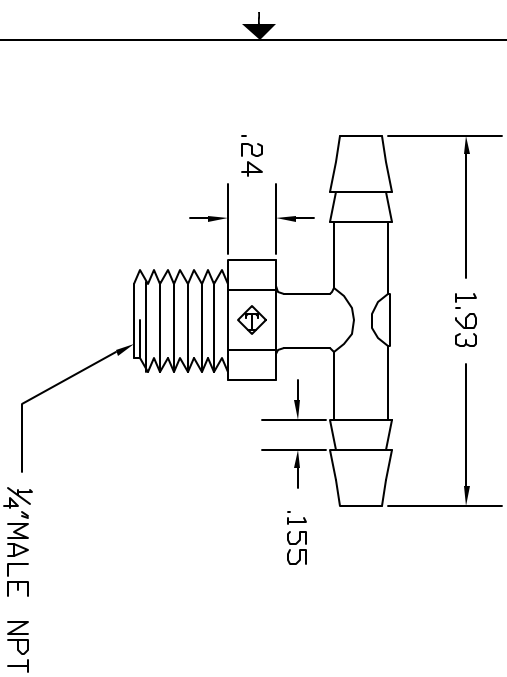


REVISIONS			
REV	DESCRIPTION	DATE	APPROVED
A	DRAWN AND RELEASED	4/98	4/98
B	MODIFY BARBS	12/02	12/02
C	UPDATE DWG	9/07	9/07



CONTROLLED DOCUMENT
ONLY IF IN RED

UNLESS OTHERWISE SPECIFIED DIMENSIONS ARE IN INCHES TOLERANCES DECIMALS ANGULARS .XX +/- .005 .XXX +/- .010 +/- .05		PART NAME 1/4NPT X 1/4 BARB X 1/4 BARB THREADED TEE	
DESIGNED 3444N	DRAWN NM	DATE 4/98	REV C
MATERIAL NYLON		PART NUMBER 13444/N	
THOGUS PRODUCTS 33597 PIN DAK PARKWAY AVON LAKE OHIO 44012		SHEET 1 of 1	