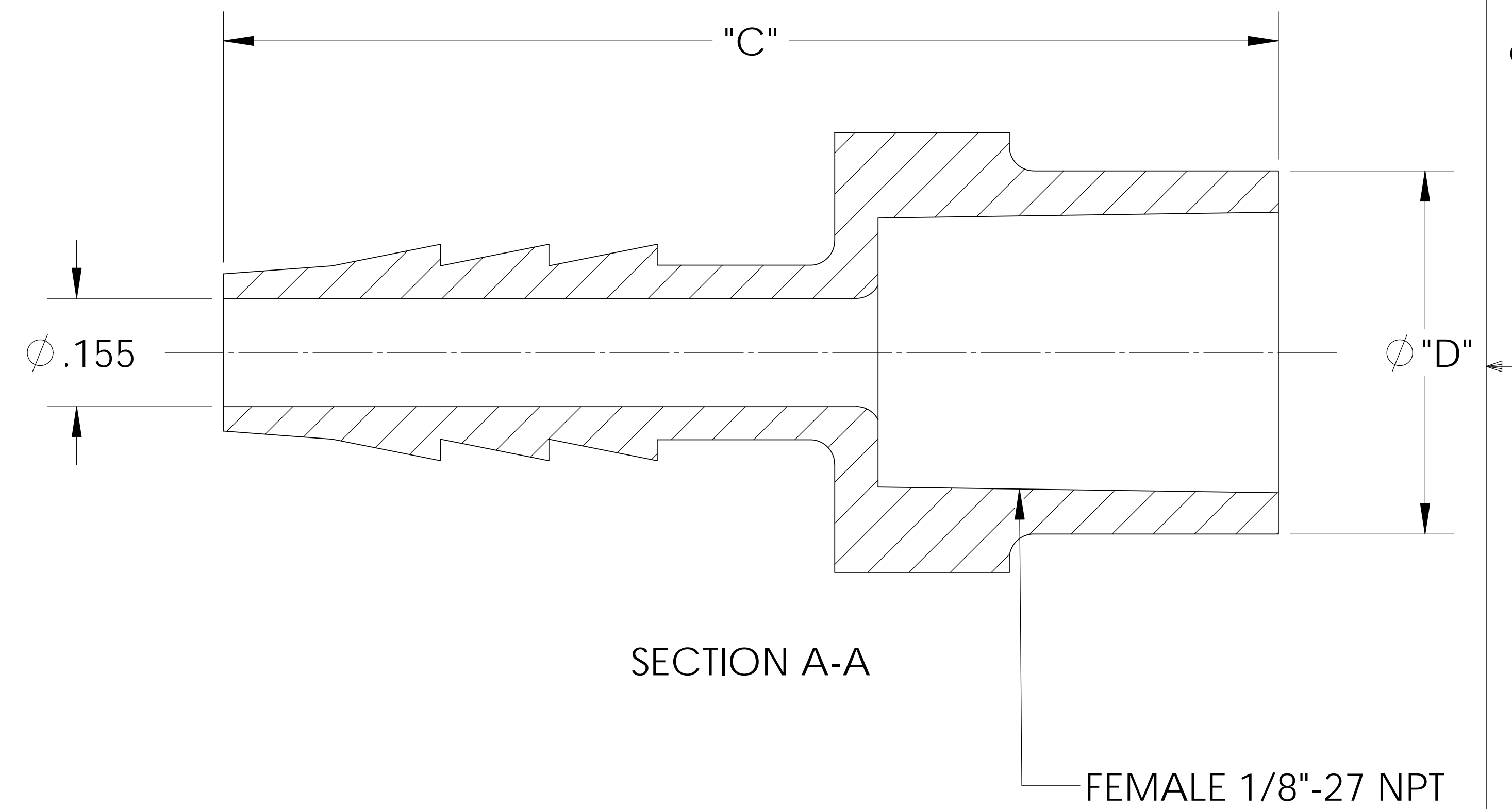
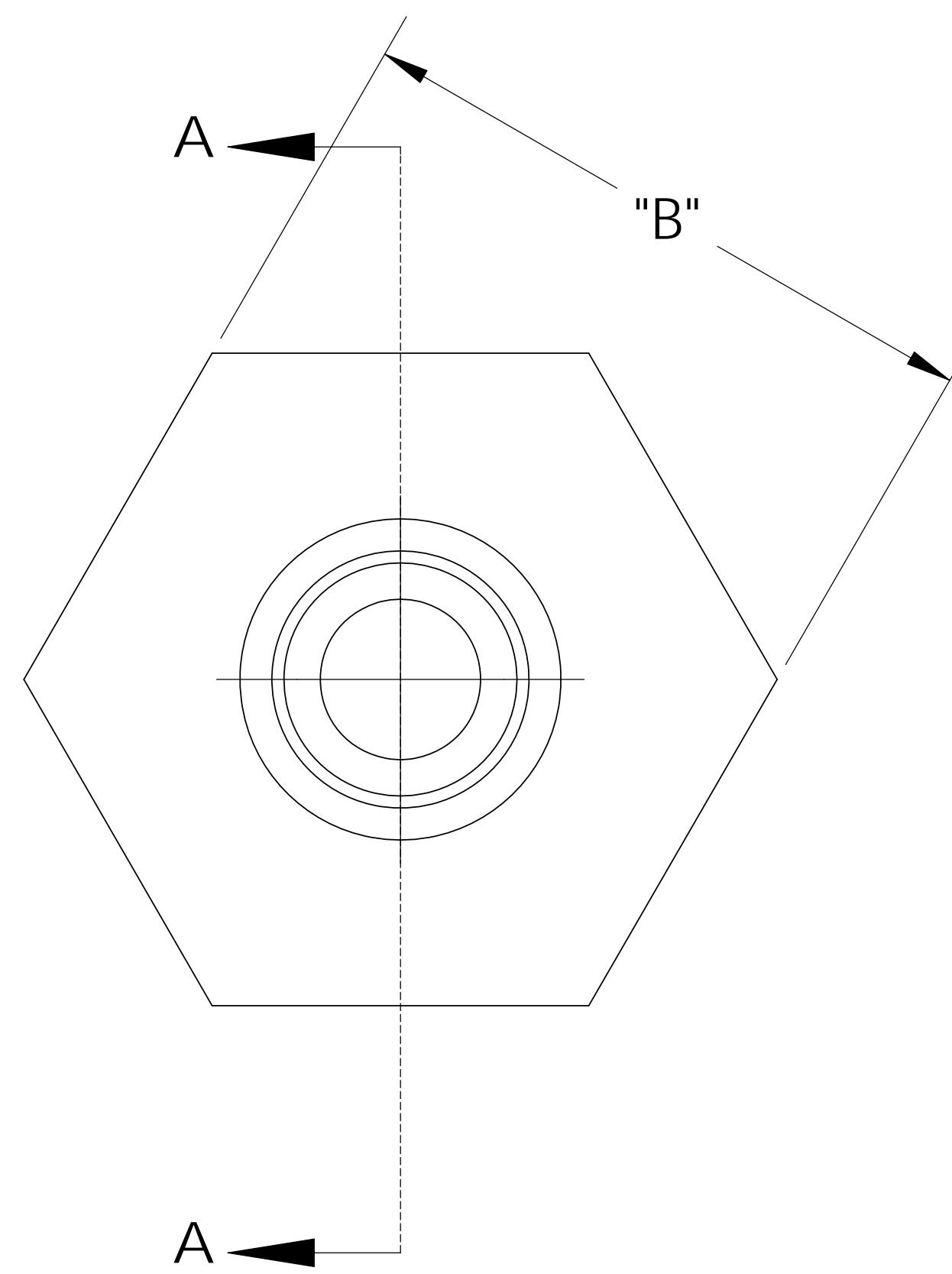
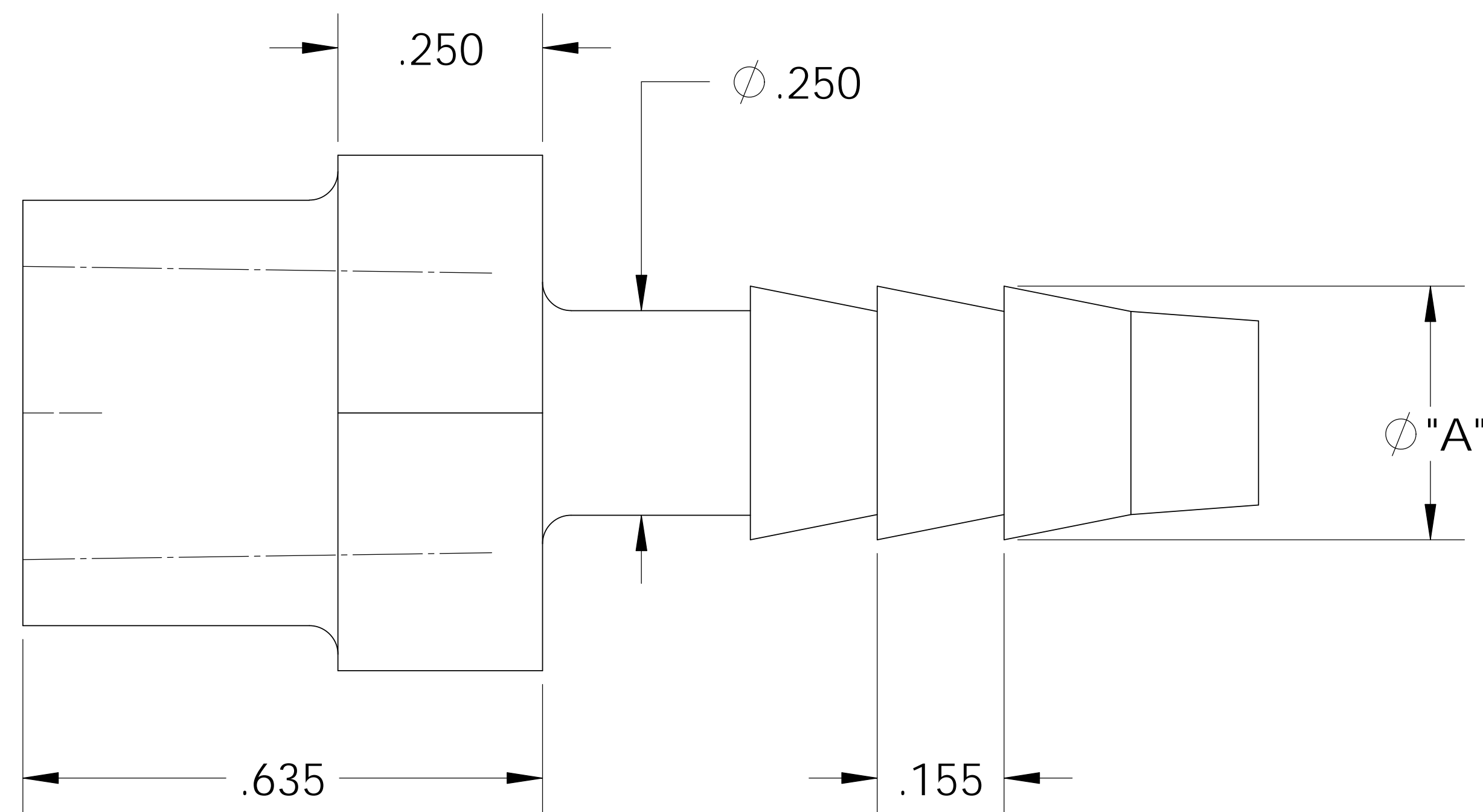
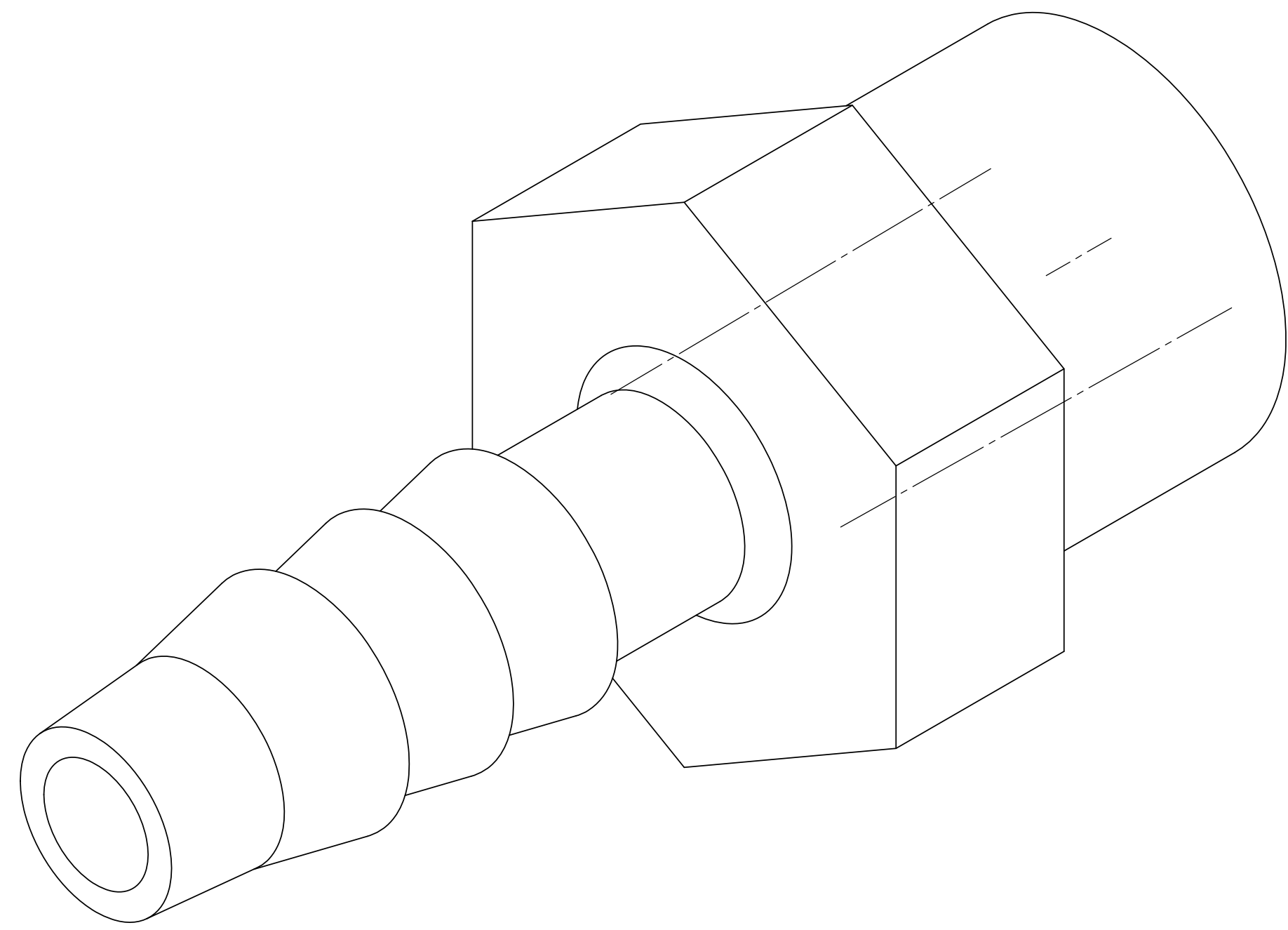


UNCONTROLLED IF PRINTED; CONTROLLED DOCUMENT LOCATED IN IQMS DOCUMENT CONTROL



NOTES:

- 1) POLYPROPYLENE HAS COLOR OPTIONS:
BLACK = TAF1024/PPB
NATURAL = TAF1024/PPN

PROPRIETARY AND CONFIDENTIAL
THE INFORMATION CONTAINED IN THIS DRAWING IS THE SOLE PROPERTY OF THOGUS PRODUCTS COMPANY. ANY REPRODUCTION IN PART OR AS A WHOLE WITHOUT THE WRITTEN PERMISSION OF THOGUS PRODUCTS COMPANY IS PROHIBITED.

CATALOG NO.	DESCRIPTION	MATERIAL	DIM "A"	DIM "B"	DIM "C"	DIM "D"
TAF1024/PP	1/8" NPT X 1/4" PP	POLYPROPYLENE	.305	.62	1.50	.515
TAF1024/N	1/8" NPT X 1/4" N	NYLON	.310	.63	1.51	.520

REV	WRO#	DESCRIPTION
C	95.00144	CONVERTED TO 3D FORMAT

UNLESS OTHERWISE SPECIFIED:	NAME	DATE
DIMENSIONS ARE IN INCHES	JRM	05/24/11
TOLERANCES:	KDJ	05/24/11
ANGULAR: $\pm 0.5^\circ$		
XX = ± 0.1		
X.XX = ± 0.05		
X.XXX = ± 0.015		
REMOVE ALL SHARP EDGES AND BURRS		
BLEND ALL RADII TO 0.01IN		
INTERPRET GEOMETRIC TOLERANCING PER: ANSI Y 14.5 1994		
MATERIAL: PP, N		
FINISH: NA		
THIRD ANGLE PROJECTION:		

DRAWN		JRM	05/24/11
CHECKED		KDJ	05/24/11
ENG APPR.			XX/XX/XX
MFG APPR.			XX/XX/XX
Q.A.			XX/XX/XX
COMMENTS:			

<p>33490 PIN OAK, AVON LAKE, OH 44012</p>		
TITLE: 1/8" NPT FEMALE X 1/4" BARB ADAPTER		
SIZE B	DWG. NO. TAF1024	REV C
SCALE: 3:1	MASS:	SHEET 1 OF 1

DO NOT SCALE DRAWING