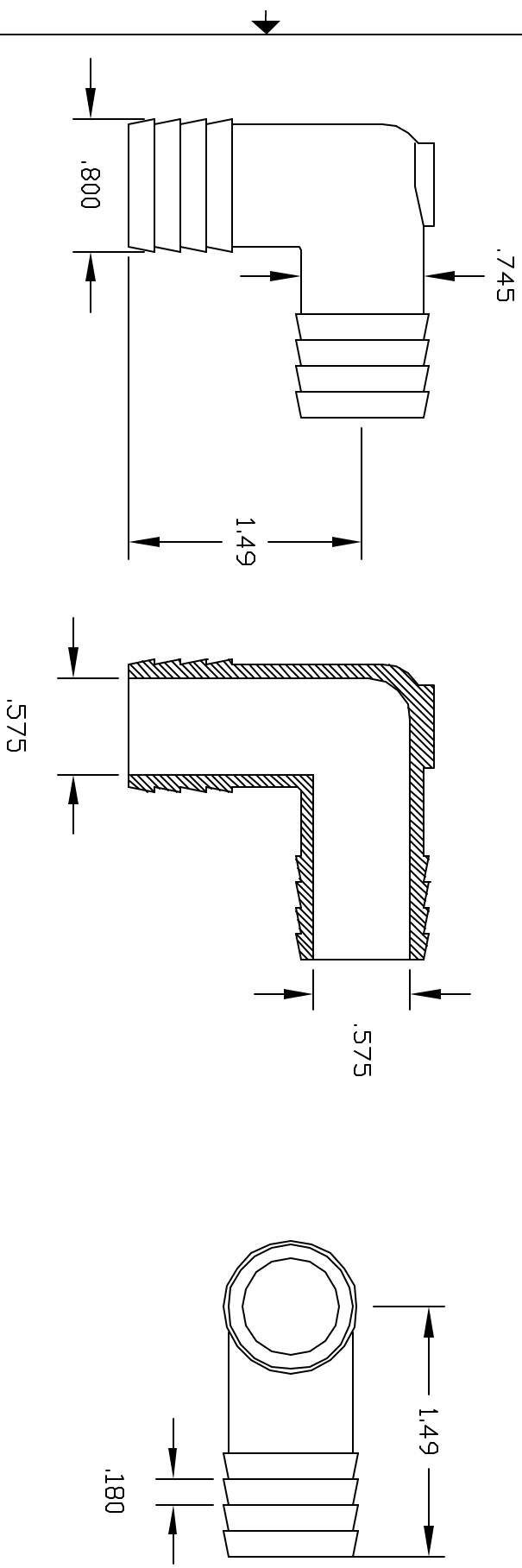


REVISIONS			
REV	DESCRIPTION	DATE	APPROVED
A	REDRAWN & RELEASED	2/98	2/98
B	GATE PAD ADDED	9/98	9/98
C	UPDATE DWG	9/07	9/07



CONTROLLED DOCUMENT
ONLY IF IN RED

CONFIDENTIAL
THIS PRINT AND THE SPECIFICATIONS ARE THE PROPERTY OF THOGUS PRODUCTS COMPANY AND HAVE BEEN ISSUED WITH THE UNDERSTANDING THAT IT IS TO BE USED FOR THE MANUFACTURE OF THE PARTS AND WILL BE RETURNED UPON REQUEST.

UNLESS OTHERWISE SPECIFIED DIMENSIONS ARE IN INCHES		TOLERANCES UNLESS OTHERWISE SPECIFIED	
DRAWN	NM	DATE	
DESIGNED BY	201212-TN		
MATERIAL	NYLON		
Part Number	3/4 BAR X 3/4 BARB ELBOW	Part Number	TE201212-T/N
THOGUS PRODUCTS	33490 PIN OAK PARKWAY AYDON LAKE OHIO 44012	Scale	1:1
		SHEET	1 of 1
		REV	C

ALL DIMENSIONS ARE TO CENTER UNLESS OTHERWISE SPECIFIED