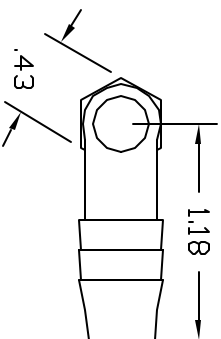
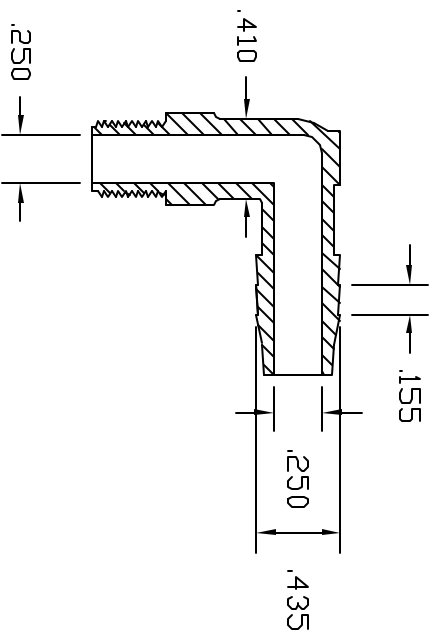
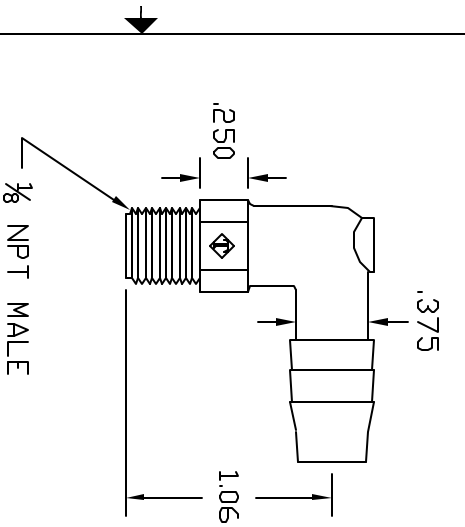


REVISIONS			
REV	DESCRIPTION	DATE	APPROVED
A	REDRAWN & RELEASED	11/97	11/97
B	MODIFY BARB-TEMP	12/02	12/02



CONTROLLED DOCUMENT  
ONLY IF IN RED

**CONFIDENTIAL**  
THIS PRINT AND THE SPECIFICATIONS ARE THE PROPERTY OF THOGUS PRODUCTS COMPANY AND HAVE BEEN ISSUED WITH THE UNDERSTANDING THAT THE USER SHALL NOT REPRODUCE OR TRANSMIT THE INFORMATION CONTAINED HEREIN TO ANY OTHER MANUFACTURER FOR OTHERS AND WILL BE RETURNED UPON REQUEST.

UNLESS OTHERWISE SPECIFIED DIMENSIONS ARE IN INCHES		Part Number	1/8NPT X 3/8 BARB ELBOW
DECIMAL FRACTIONS	1/16		
XX +/- .05	1/4		
XXX +/- .015	1/2		
DRAWN	NM	DATE	11/97
DESIGNED	2026N		
MATERIAL	NYLON	Part Number	TE2026/N
SCALE	1:1	SHEET	1 of 1
THOGUS PRODUCTS		33490 PIN DAK PARKWAY AYDON LAKE OHIO 44012	