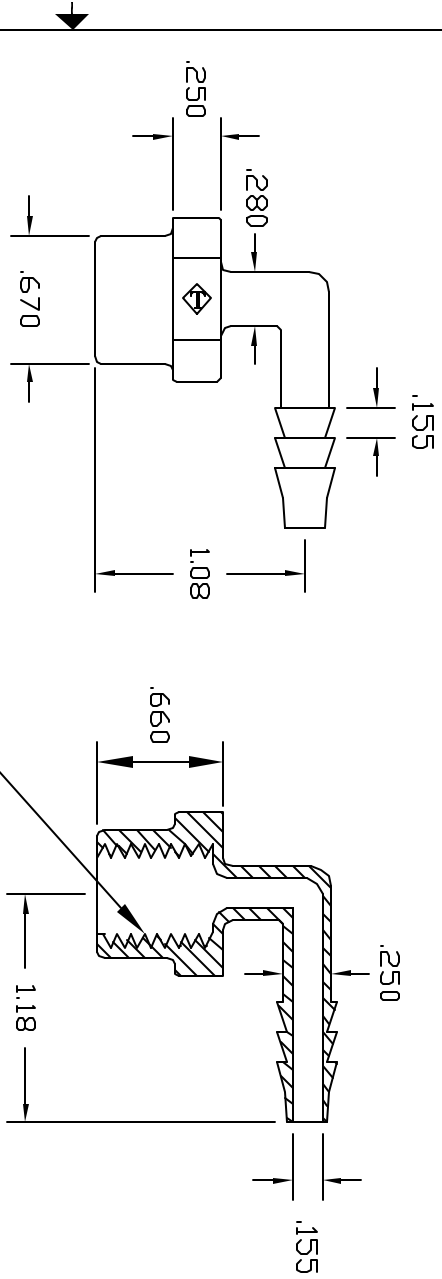


REVISIONS			
REV	DESCRIPTION	DATE	APPROVED
A	DRAWN	12/02	
B	ADD 3RD BARB CHANGE CENTERLINE	01/03	
C	UPDATE DWG	9/07	9/07



FEMALE 1/4-18" NPT

CONFIDENTIAL
 THIS PRINT AND THE SPECIFICATIONS ARE THE PROPERTY OF THOGUS PRODUCTS COMPANY AND HAVE BEEN ISSUED WITH THE UNDERSTANDING THAT REVEALMENT OF THE DESIGN TO THE MANUFACTURE FOR OTHERS AND WILL BE RETURNED UPON REQUEST.

UNLESS OTHERWISE SPECIFIED DIMENSIONS ARE IN INCHES		Part Name:	
DECIMAL FRACTIONS	1/16	1/4 NPT FEMALE X 1/4 BARB	FEMALE ELBOW
XX +/- .05	1/4-D5		
XXX +/- .015	1/4-D5		
DRAWN	BM	Part Number:	TEF2044/N
DESIGNED	TEF2044N	Scale:	1:1
MATERIAL	NYLON	SHEET	1 of 1
THOGUS PRODUCTS 33490 PIN DAK PARKWAY AYOON LAKE OHIO 44012		REV	C

CONTROLLED DOCUMENT
 ONLY IF IN RED