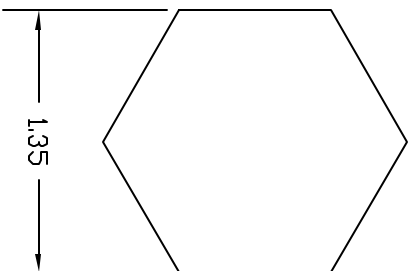
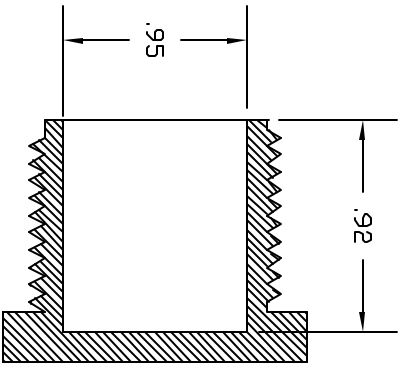
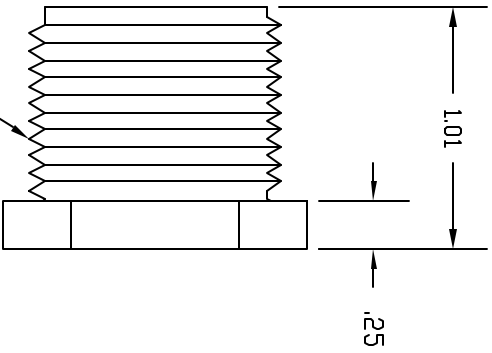


REVISIONS			
REV	DESCRIPTION	DATE	APPROVED
A	REDRAWN & RELEASED	1/98	1/98
B	UPDATE DWG	9/07	9/07



CONTROLLED DOCUMENT
ONLY IF IN RED

CONFIDENTIAL
THIS PRINT AND THE SPECIFICATIONS ARE THE PROPERTY OF THOGUS PRODUCTS COMPANY AND HAVE BEEN ISSUED WITH THE UNDERSTANDING THAT REVEALING THE IDENTIFIED INFORMATION TO OTHERS AND WILL BE RETURNED UPON REQUEST. Ⓢ

UNLESS OTHERWISE SPECIFIED DIMENSIONS ARE IN INCHES		Part Name: 1NPT PLUG	
DECIMAL FRACTIONS	±.015	33490 PIN DAK PARKWAY	
FRACTIONS	±.015	AYDON LAKE OHIO 44012	
XX	±.015	Part Number: TP4016/P	
XXX	±.015	SHEET 1 of 1	
DRAWN	NM	DATE	1/98
MATERIAL: POLYETHYLENE		REV	B