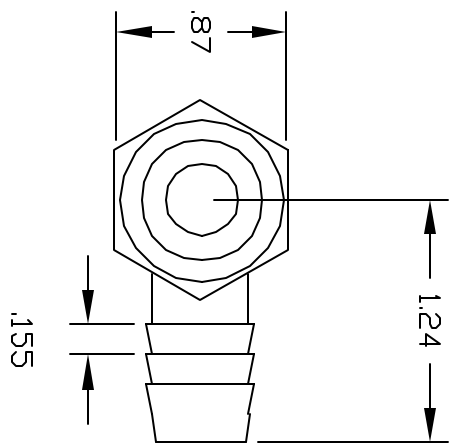
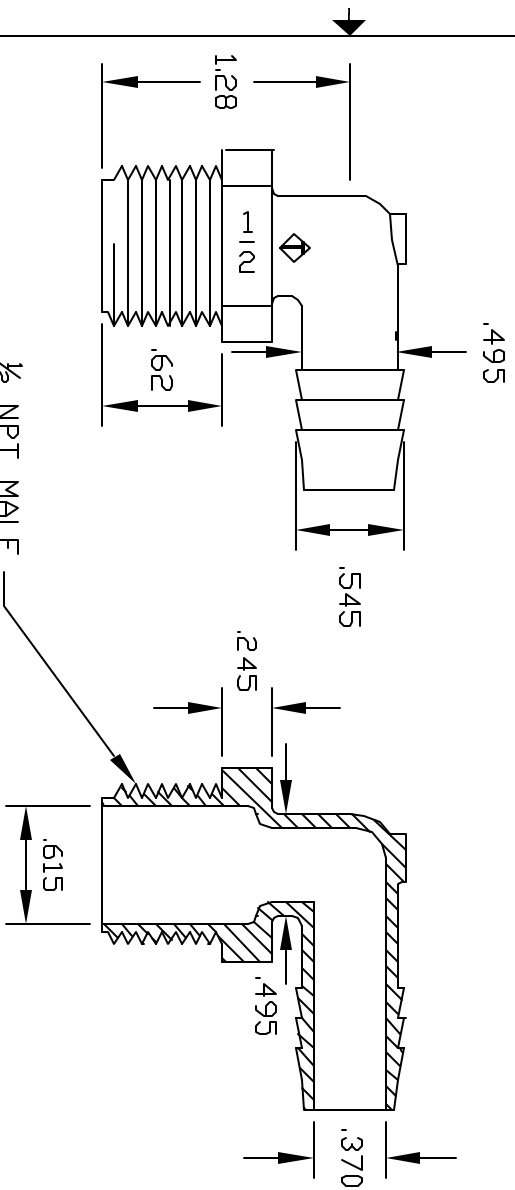


REVISIONS				
ZINC	REV	DESCRIPTION	DATE	APPROVED
	A	REDRAWN & RELEASED	5/98	5/98
	B	LEAD BARB	7/99	7/99
	C	.540 TD .550 1.11 TD 1.26 .500 TD .490 .90 TD .88	7/99	7/99



COLOR: BLACK (PPB)
NATURAL (PPN)

CONTROLLED DOCUMENT
ONLY IF IN RED

THIS PRINT AND THE SPECIFICATIONS ARE THE PROPERTY OF THOGUS PRODUCTS COMPANY AND HAVE BEEN ISSUED WITH THE UNDERSTANDING THAT IT IS TO BE USED FOR THE MANUFACTURE OF OTHERS AND WILL BE RETURNED UPON REQUEST.

UNLESS OTHERWISE SPECIFIED DIMENSIONS ARE IN INCHES
TOLERANCES
XX +/- .05
XXX +/- .015

DRAWN MS DATE 1/7/98
PART NUMBER 2088PP
MATERIAL POLYPROPYLENE

Part Name 1/2NPT X 1/2 BARB ELBOW
THOGUS PRODUCTS 33490 PIN DAK PARKWAY
AYDON LAKE OHIO 44012
Part Number TE2088/PP
SCALE 1:1
SHEET 1 of 1

REV C