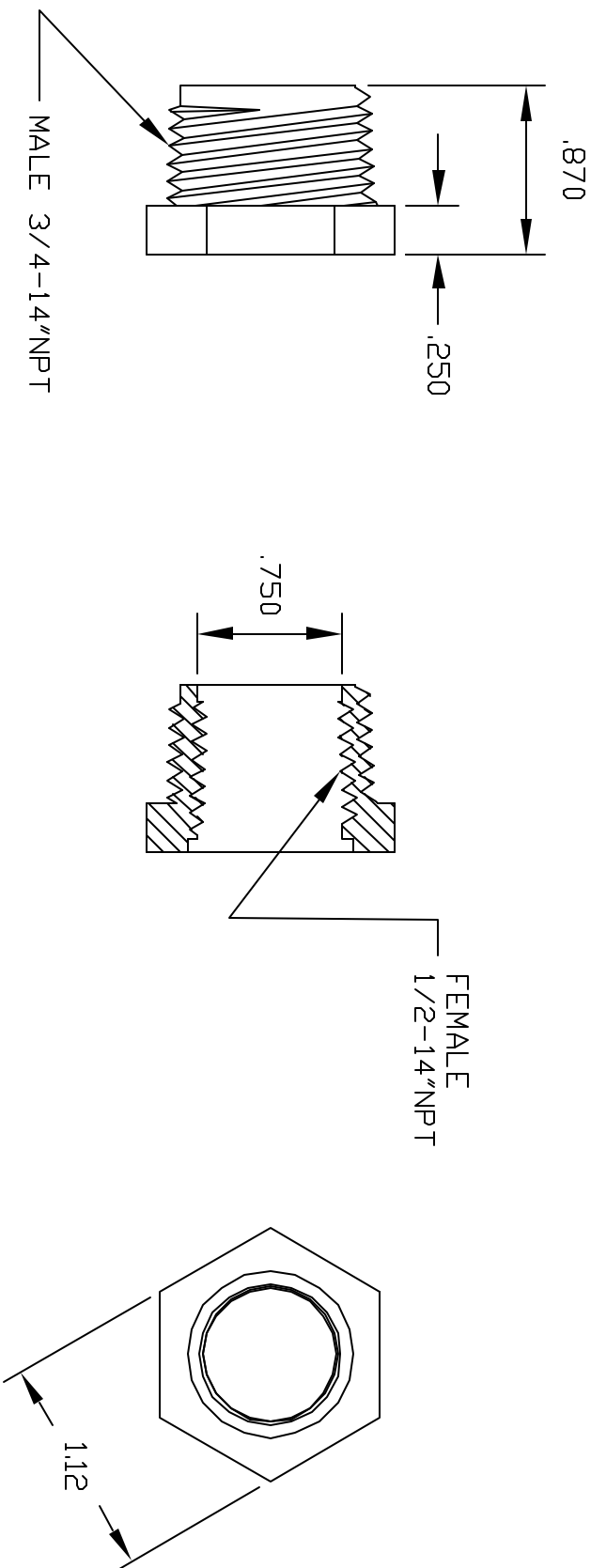


REV	DESCRIPTION	DATE	APPROVED
A	DRAWN	05/02	05/02
B	UPDATE DWG	9/07	9/07



CONTROLLED DOCUMENT
ONLY IF IN RED

CONSEQUENTIAL
THIS PRINT AND THE SPECIFICATIONS ARE THE PROPERTY OF THOGUS PRODUCTS COMPANY AND HAVE BEEN ISSUED WITH THE UNDERSTANDING THAT IT WILL NOT BE REPRODUCED, REVEALED TO OR USED FOR THE MANUFACTURE FOR OTHERS AND WILL BE RETURNED UPON REQUEST.

UNLESS OTHERWISE SPECIFIED DIMENSIONS ARE IN INCHES	DRAWN	DATE
DECIMALS XX +.05 XXX +/- .005	BM	5/02
TOLERANCES ANGULAR 1°/0.1	FILE NAME:	TRB3412N
	MATERIAL	NYLON

PART NAME	3/4NPT MALE X 1/2NPT FEMALE
REDUCER BUSHING	
THOGUS PRODUCTS	33490 PIN OAK PARKWAY AVON LAKE OHIO 44012
PART NUMBER	TRB3412/N
REV	B
SHEET	1 OF 1