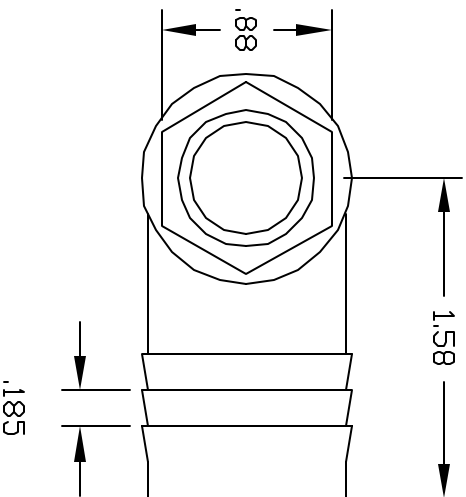
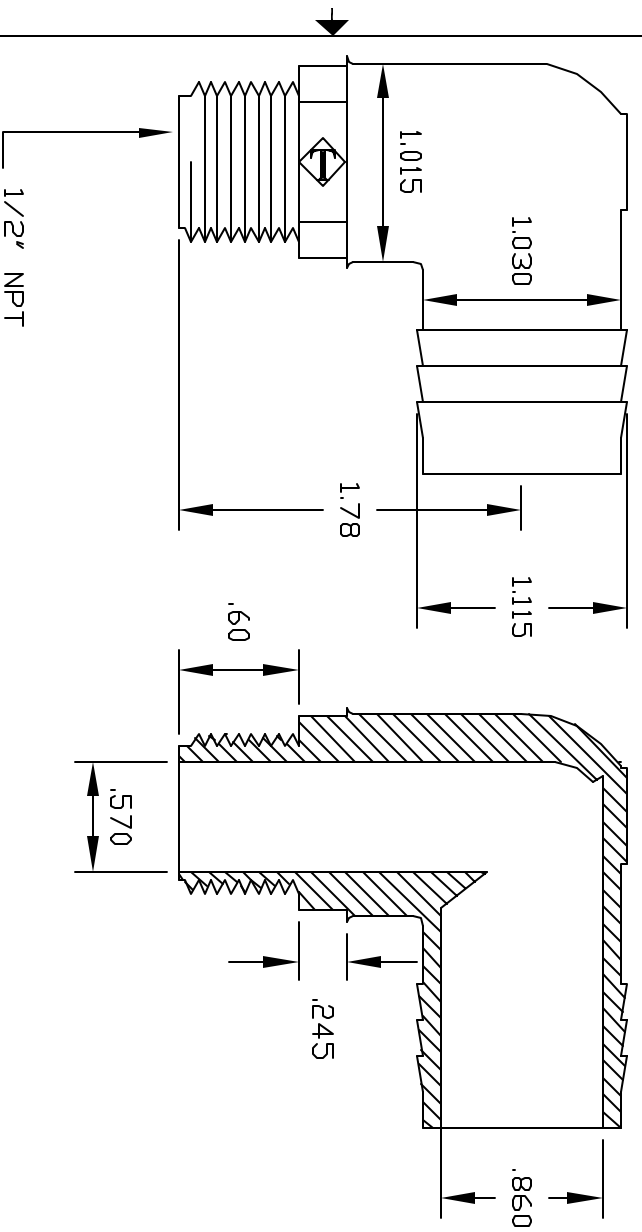


REVISIONS			
REV	DESCRIPTION	DATE	APPROVED
A	REDRAWN & RELEASED	5/98	5/98
B	UPDATE DWG	9/07	9/07



CONTROLLED DOCUMENT
ONLY IF IN RED

CONFIDENTIAL
THIS PRINT AND THE SPECIFICATIONS ARE THE PROPERTY OF THOGUS PRODUCTS COMPANY AND HAVE BEEN ISSUED WITH THE UNDERSTANDING THAT IT IS NOT TO BE REPRODUCED OR TRANSMITTED IN ANY FORM OR BY ANY MEANS, ELECTRONIC OR MECHANICAL, INCLUDING PHOTOCOPYING, RECORDING, OR BY ANY INFORMATION STORAGE AND RETRIEVAL SYSTEM. ANY UNAUTHORIZED REPRODUCTION OR TRANSMISSION OF THIS DOCUMENT IS STRICTLY PROHIBITED AND WILL BE RETURNED UPON REQUEST.

UNLESS OTHERWISE SPECIFIED DIMENSIONS ARE IN INCHES		DRAWN		DATE	
TOLERANCES UNLESS OTHERWISE SPECIFIED		NM		5/98	
XX +/- .05		CHECKED		Part Number	
XX +/- .05		MATERIAL		TE20816/N	
XX +/- .05		NYLON		SCALE 1:1	
Part Name: 1/2 NPT X 13/16 BARB ELBOW		THOGUS PRODUCTS		33490 PIN DAK PARKWAY	
				AYDON LAKE OHIO 44012	
				SHEET 1 of 1	
				REV B	

THE INFORMATION CONTAINED HEREIN IS UNCLASSIFIED