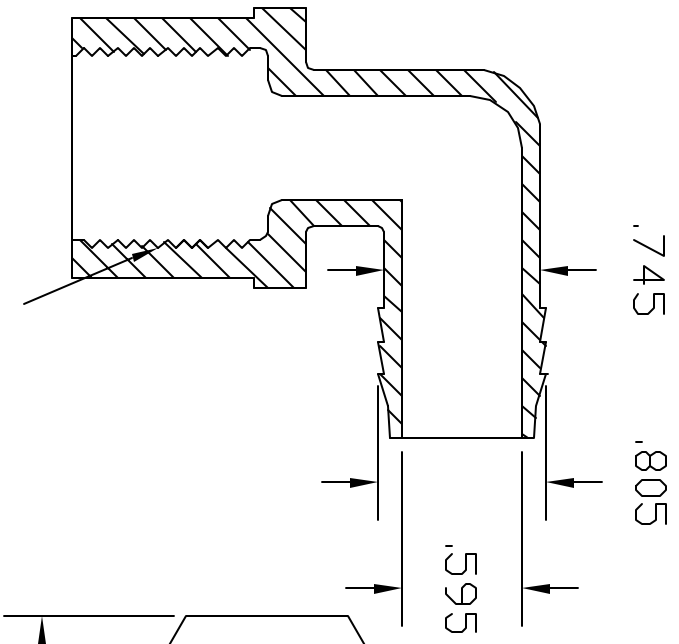
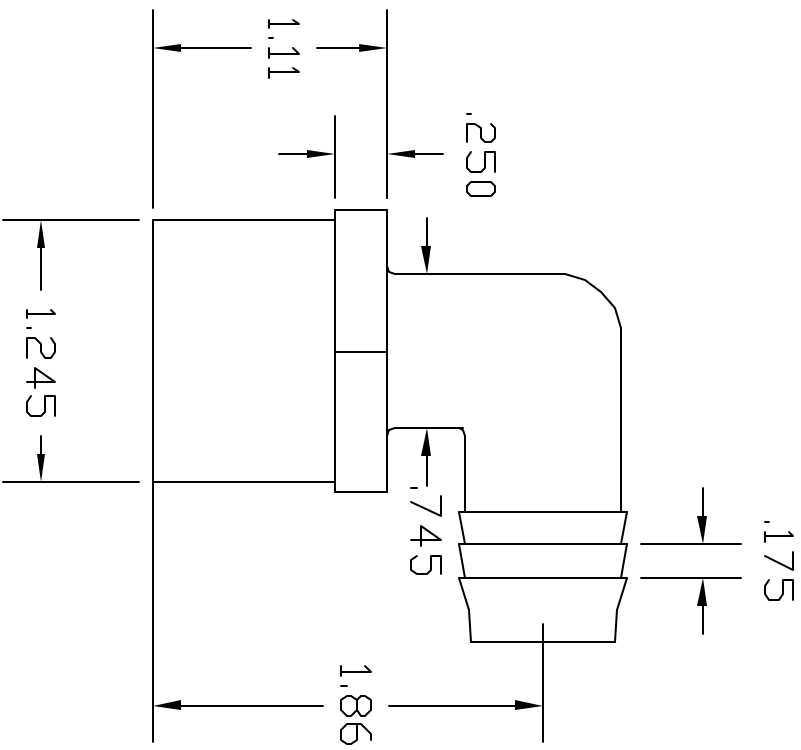
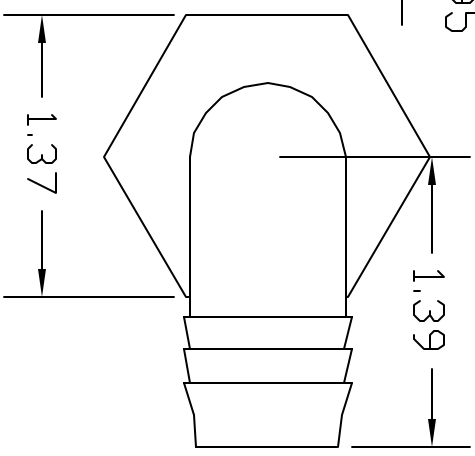


REV	DESCRIPTION	DATE	APPROVED
A	REDRAWN AND RELEASED	1/98	1/98
B	MODIFY BARB & HEX	01/30/06	01/30/06



3/4NPT-FEMALE



CONTROLLED DOCUMENT
ONLY IF IN RED

UNLESS OTHERWISE SPECIFIED
DIMENSIONS ARE IN INCHES
DECIMALS .XX ±.05 ANGULAR
XXX ±.05

CONTRACTOR:	THIS PRINT AND THE SPECIFICATIONS ARE THE PROPERTY AND HAVE BEEN ISSUED WITH THE UNDERSTANDING THAT IT WILL NOT BE REPRODUCED, REVEALED TO OR USED FOR THE MANUFACTURE FOR OTHERS AND WILL BE RETURNED UPON REQUEST.
DRAWN	DATE
BM	1/12/06
MATERIAL	NYLON

PART NAME:	3/4-1/4NPT FEMALE X 3/4 BARB FEMALE ELBOW
THOGUS PRODUCTS	33490 PIN DAK PARKWAY AVON LAKE OHIO 44012
PART NUMBER	TEF201212/N
SCALE	1:1
SHEET	1 OF 1
REV	B