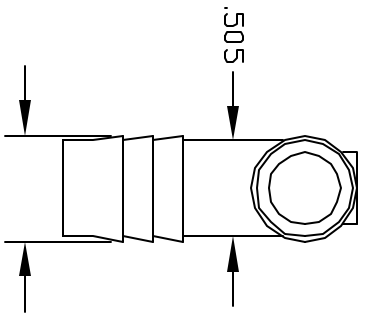
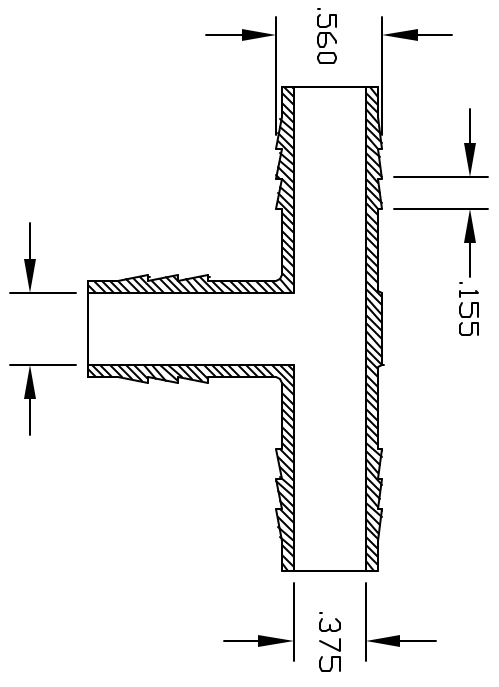
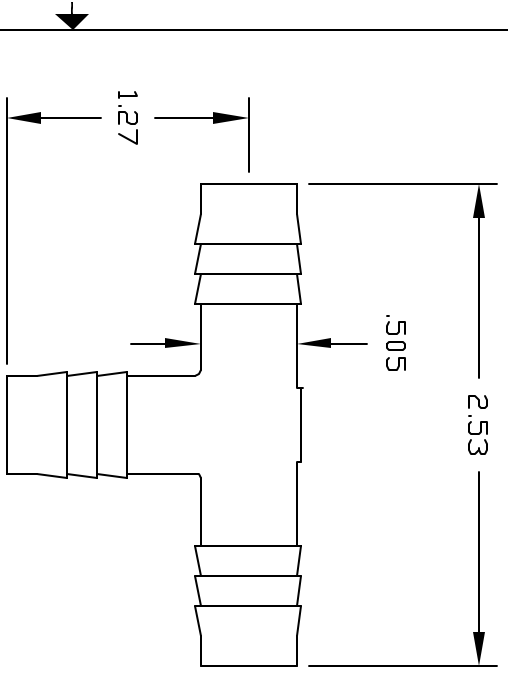


REVISIONS			
REV	DESCRIPTION	DATE	APPROVED
A	REDRAWN & RELEASED	2/98	2/98
B	.375 GATE PAD WAS .187	3/98	3/98
C	UPDATE DWG	9/07	9/07



CONTROLLED DOCUMENT
ONLY IF IN RED

CONFIDENTIAL
THIS PRINT AND THE SPECIFICATIONS ARE THE PROPERTY OF THOGUS PRODUCTS COMPANY AND HAVE BEEN LENT WITH THE UNDERSTANDING THAT ALL INFORMATION CONTAINED HEREIN IS TO BE KEPT FOR THE MANUFACTURE OF THIS PRODUCT AND WILL BE RETURNED UPON REQUEST.

UNLESS OTHERWISE SPECIFIED DIMENSIONS ARE IN INCHES		TOLERANCES	
XX	+/- .05	XX	+/- .05
XXX	+/- .015	XXX	+/- .015
DRAWN	NM	DATE	8/98
DESIGNED	9888N	MATERIAL	NYLON
Part Name		1/2 BARB X 1/2 BARB X 1/2 BARB TEE	
Part Number		TT9888/N	
THOGUS PRODUCTS		33490 PIN DAK PARKWAY AVON LAKE OHIO 44012	
REV	C	SHEET	1 of 1