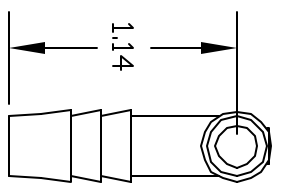
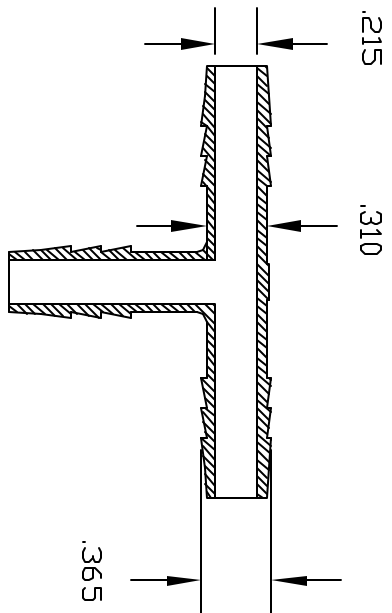
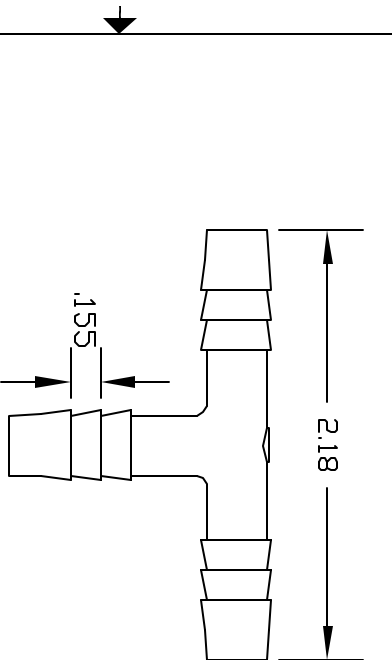


REV	DESCRIPTION	DATE	APPROVED
A	RELEASED	1/98	1/98
B	MODIFY BARBS	12/00	12/00
C	UPDATE DWG	9/07	9/07



CONTROLLED DOCUMENT
ONLY IF IN RED

UNLESS OTHERWISE SPECIFIED DIMENSIONS ARE IN INCHES DECIMALS .XX +/- .05 .XXX +/- .015 ANGLES +/- .05		Part Name 5/16 BARB X 5/16 BARB X 5/16 BARB TEE	
DRAWN NM	DATE 1/98	THOGUS PRODUCTS 33490 PIN DAK PARKWAY AYOON LAKE OHIO 44012	
MATERIAL POLYETHYLENE	PART NUMBER 9555/P	SHEET 1	REV C