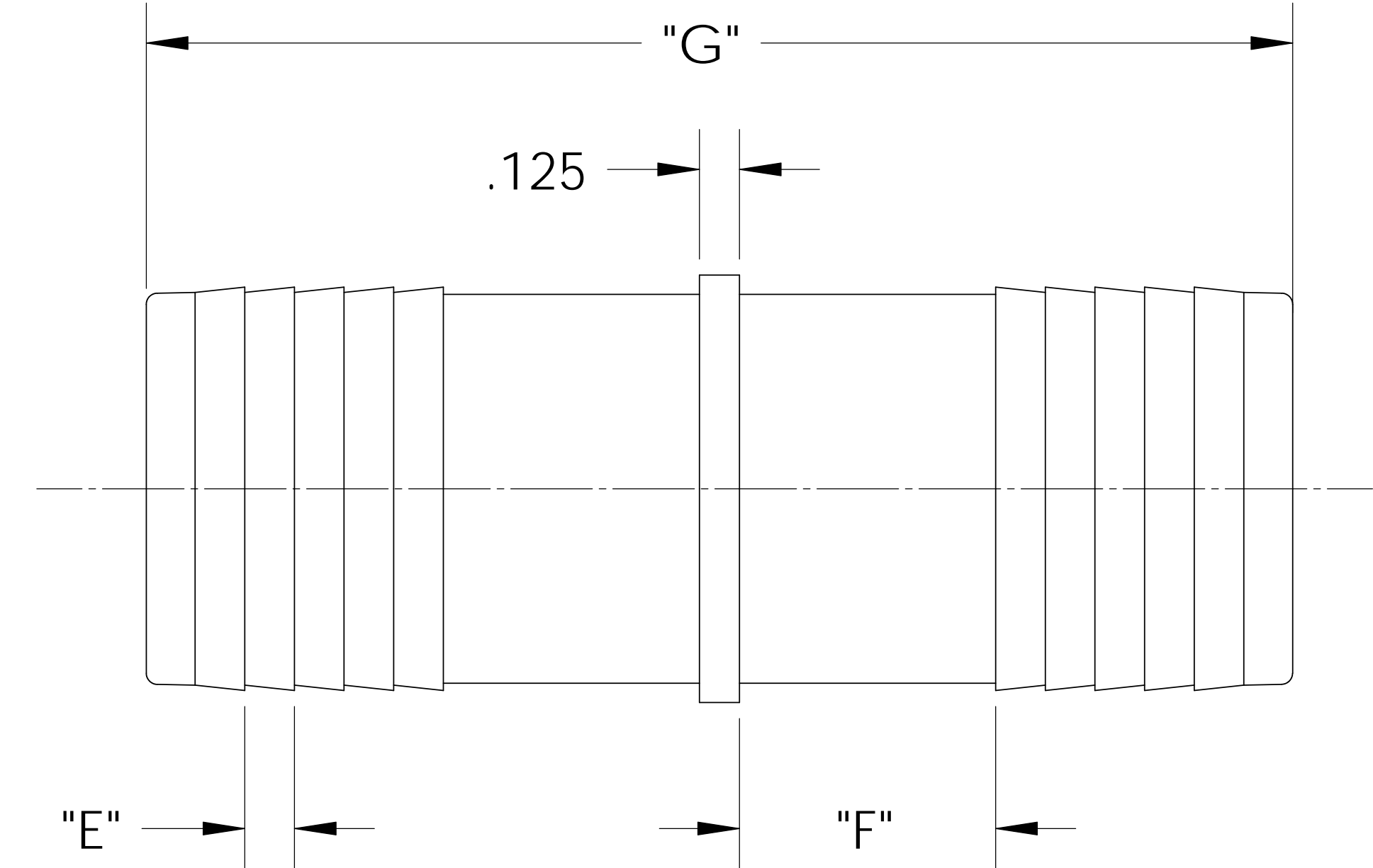
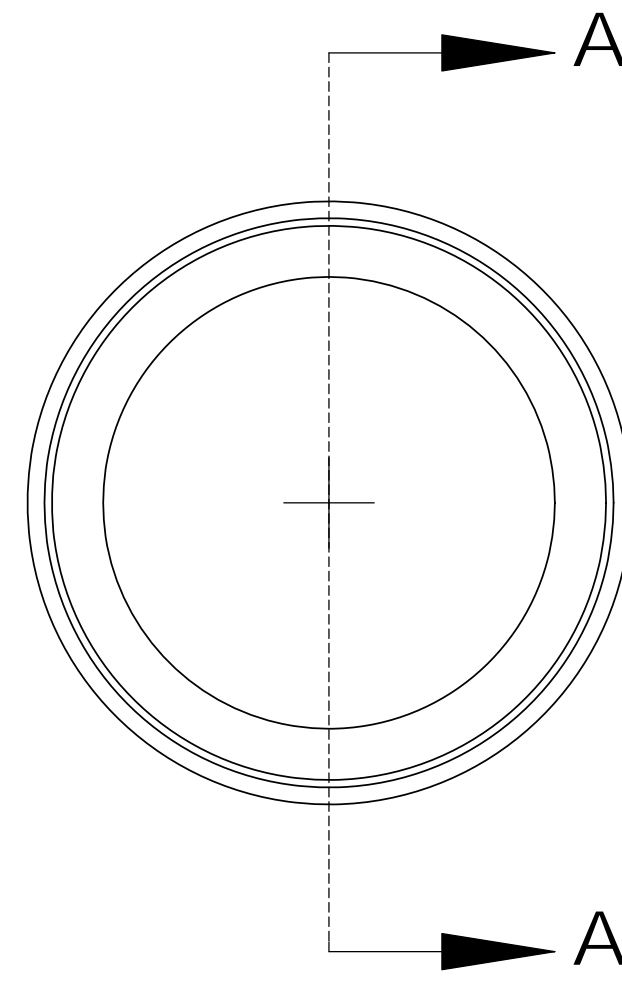
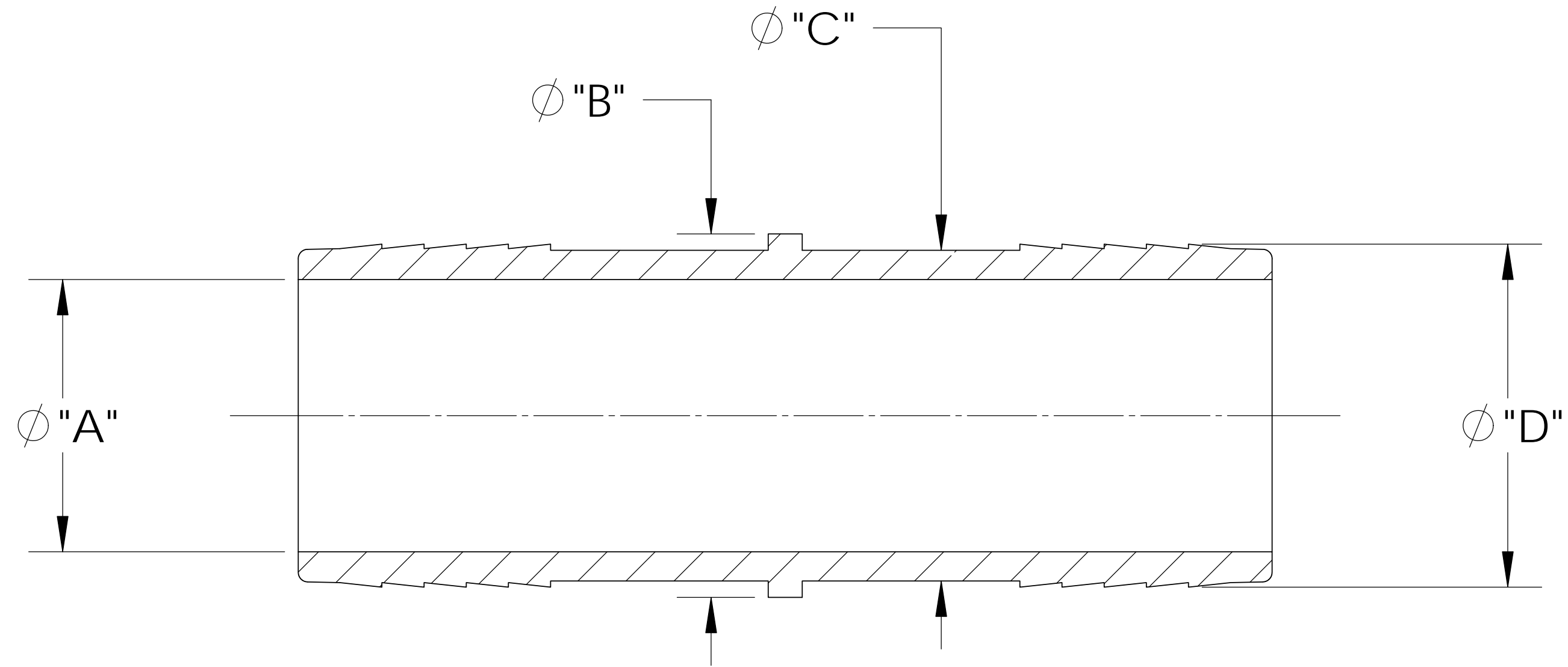
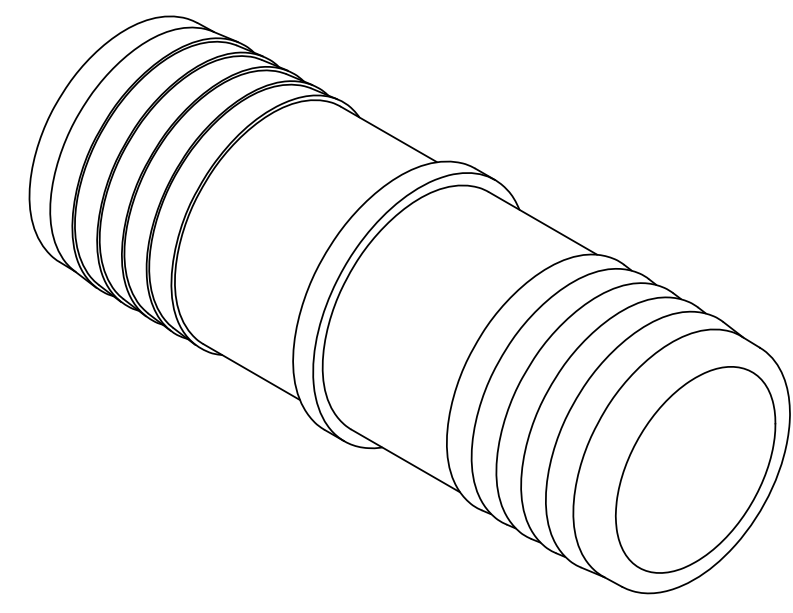


UNCONTROLLED IF PRINTED; CONTROLLED DOCUMENT LOCATED IN IQMS DOCUMENT CONTROL



SECTION A-A

NOTES:

- 1) POLYPROPYLENE HAS COLOR OPTIONS:
 BLACK = TC72020/PPB
 NATURAL = TC72020/PPN

PROPRIETARY AND CONFIDENTIAL
 THE INFORMATION CONTAINED IN THIS DRAWING IS THE SOLE PROPERTY OF THOGUS PRODUCTS COMPANY. ANY REPRODUCTION IN PART OR AS A WHOLE WITHOUT THE WRITTEN PERMISSION OF THOGUS PRODUCTS COMPANY IS PROHIBITED.

SHOWN

CATALOG NO.	DESCRIPTION	MATERIAL	DIM "A"	DIM "B"	DIM "C"	DIM "D"	DIM "E"	DIM "F"	DIM "G"
TC72020/PP	1 1/4 X 1 1/4 PP	POLYPROPYLENE	.985	1.310	1.195	1.245	.150	.79	3.52
TC72020/N	1 1/4 X 1 1/4 N	NYLON	1.000	1.335	1.215	1.260	.155	.80	3.58

REV	WRO#	DESCRIPTION
D	95.00041	CONVERTED TO 3D FORMAT
HISTORY		

UNLESS OTHERWISE SPECIFIED:
 DIMENSIONS ARE IN INCHES
 TOLERANCES:
 ANGULAR: $\pm 0.5^\circ$
 X.X = ± 0.1
 X.XX = ± 0.05
 X.XXX = ± 0.015
 REMOVE ALL SHARP EDGES AND BURRS
 BLEND ALL RADII TO 0.01IN
 INTERPRET GEOMETRIC TOLERANCING PER: ANSI Y 14.5 1994
 MATERIAL:
 PP, N
 FINISH:
 NA
 THIRD ANGLE PROJECTION:

NAME	DATE
DRAWN: KDJ	10/18/10
CHECKED: KDJ	10/18/10
ENG APPR.	XX/XX/XX
MFG APPR.	XX/XX/XX
Q.A.	XX/XX/XX

Thogus You think it, we can make it...
 33490 PIN OAK, AVON LAKE, OH 44012

TITLE:
BARB CONNECTOR, 1-1/4" X 1-1/4"

SIZE B	DWG. NO. TC72020	REV D
SCALE: 1:1	MASS:	SHEET 1 OF 1

DO NOT SCALE DRAWING