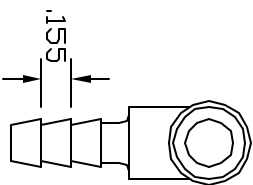
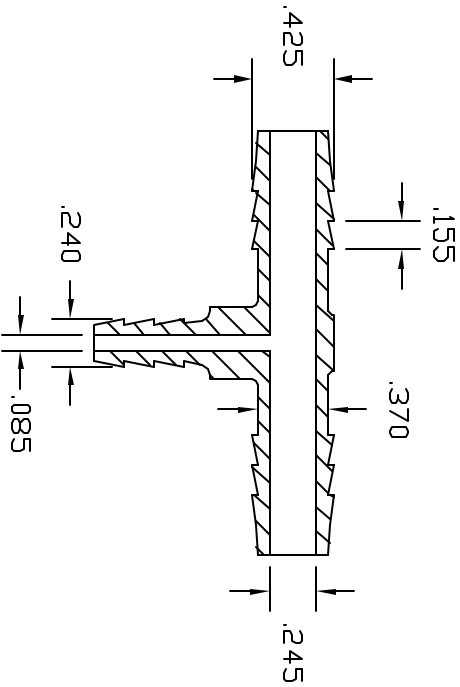
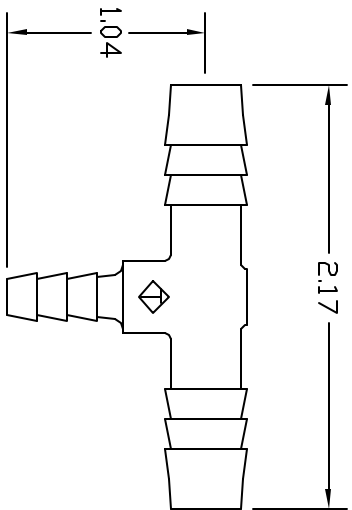


REVISIONS			
REV	DESCRIPTION	DATE	APPROVED
A	DRAWN	6/00	6/00
B	MODIFY BARBS	3/07	3/07
C	UPDATE DWG	9/07	9/07



UNLESS OTHERWISE SPECIFIED DIMENSIONS ARE IN INCHES TOLERANCES ANGULAR XXX +/- .005 +/- .015		DRAWN NM		DATE 4/98	
FINISHES 9666P		MATERIAL POLYETHYLENE		Part Name 3/16 BARB X 3/8 BARB X 3/8 BARB TEE	
Part Number TT9366/P		THOGUS PRODUCTS 33490 PIN OAK PARKWAY AVON LAKE OHIO 44012		SHEET 1 OF 1	
REV C					

CONSEQUENTIAL
THIS PRINT AND THE SPECIFICATIONS
PRODUCTS COMPANY AND HAVE BEEN
ISSUED WITH THE UNDERSTANDING THAT
IT WILL NOT BE REPRODUCED, THE
REVEALED TO OR USED FOR THE
PURPOSES FOR WHICH IT WILL
BE RETURNED.

CONTROLLED DOCUMENT
ONLY IF IN RED