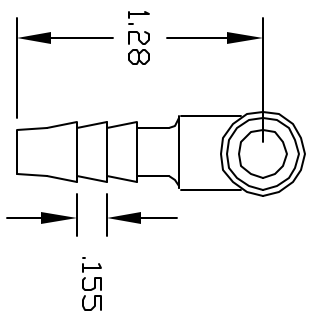
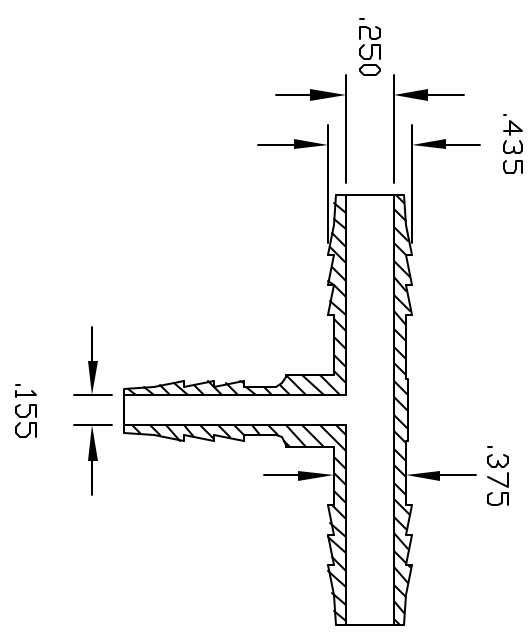
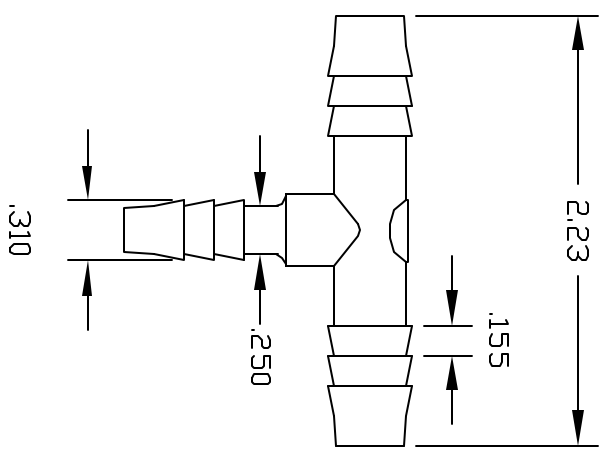


REVISIONS			
REV	DESCRIPTION	DATE	APPROVED
A	REDRAWN & RELEASED	4/98	4/98
B	MODIFY BARBS	5/04	5/04
C	UPDATE DWG	9/07	9/07



CONTROLLED DOCUMENT
ONLY IF IN RED

CONFIDENTIAL
THIS PRINT AND THE SPECIFICATIONS ARE THE PROPERTY OF THOGUS PRODUCTS COMPANY AND HAVE BEEN LENT WITH THE UNDERSTANDING THAT IT WILL NOT BE REPRODUCED OR TRANSMITTED IN ANY FORM OR BY ANY MEANS, ELECTRONIC OR MECHANICAL, INCLUDING PHOTOCOPYING, RECORDING, OR BY ANY INFORMATION STORAGE AND RETRIEVAL SYSTEM. ANY UNAUTHORIZED REPRODUCTION OR TRANSMISSION OF THIS DOCUMENT OR THE INFORMATION CONTAINED HEREIN WILL BE RETURNED UPON REQUEST.

UNLESS OTHERWISE SPECIFIED DIMENSIONS ARE IN INCHES	
FINISH	PLASMA
XX +/- .05	YY +/- .05
XXX +/- .015	YY +/- .015
DRAWN	DATE
NM	4/98
MATERIAL	9466N
NYLON	

Part Name	1/4 BARB X 3/8 BARB X 3/8 BARB TEE
Part Number	TT9466/N
THOGUS PRODUCTS	33490 PIN DAK PARKWAY AYDON LAKE OHIO 44012
REV	C
SHEET	1 of 1