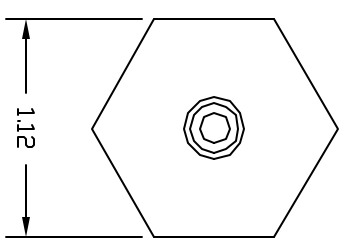
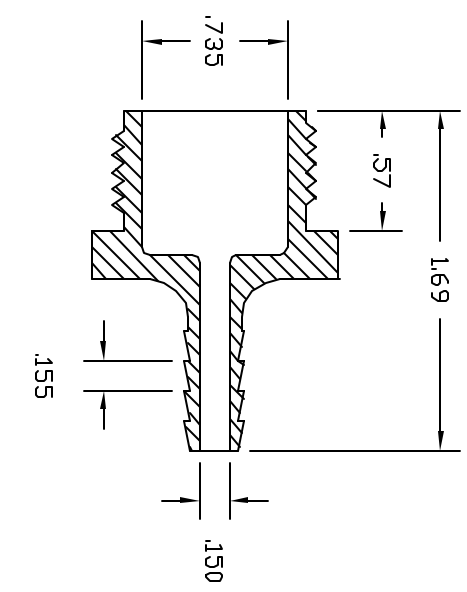


REVISIONS			
REV	DESCRIPTION	DATE	APPROVED
A	DRAWN & RELEASED	1/98	1/98
B	UPDATE DWG	9/07	9/07



MALE GARDEN HOSE THREAD

CONTROLLED DOCUMENT
ONLY IF IN RED

CONFORMANCE
THIS PRINT AND THE SPECIFICATIONS ARE THE PROPERTY OF THOGUS PRODUCTS COMPANY AND HAVE BEEN ISSUED WITH THE UNDERSTANDING THAT REVEALATION OF THE DESIGN OR THE MANUFACTURE FOR OTHERS AND WILL BE RETURNED UPON REQUEST.

UNLESS OTHERWISE SPECIFIED DIMENSIONS ARE IN INCHES TOLERANCES MILLAR XX +/- .05 XXX +/- .015		Part Number GARDEN HOSE THREAD X 1/4 BARB GARDEN HOSE THREAD ADAPTER	
DRAWN NM	DATE 1/98	THOGUS PRODUCTS 33490 PIN DAK PARKWAY AVON LAKE OHIO 44012	
CHECKED	DATE 1/98	Part Number GA104/PPB	REV B
MATERIAL POLYPROPYLENE BLACK		SHEET 1	OF 1