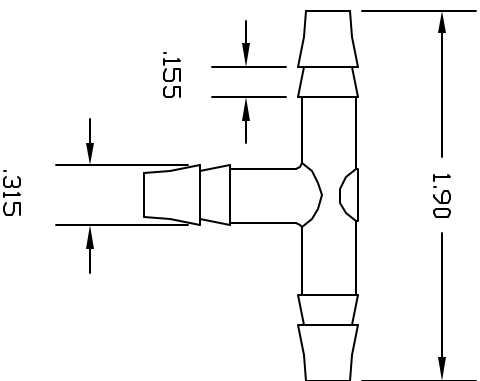
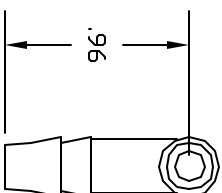
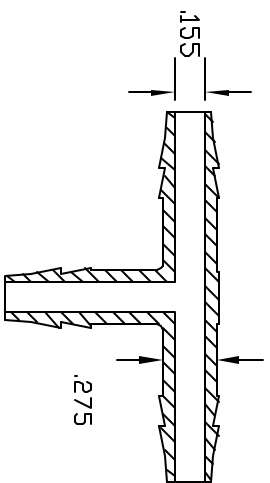


REVISIONS			
REV	DESCRIPTION	DATE	APPROVED
D	MODIFY BARBS	12/02	12/02
E	UPDATE DWG	9/07	9/07



COLOR: BLACK (PPB)

NATURAL (PPN)

CONTROLLED DOCUMENT
ONLY IF IN RED

UNLESS OTHERWISE SPECIFIED DIMENSIONS ARE IN INCHES TOLERANCES ARE: DECIMALS .XX +/- .05 ANGLES .XX +/- .015		PART NAME 1/4 BARB X 1/4 BARB X 1/4 BARB TEE	
DRAWN NM	DATE 9/96	THOGUS PRODUCTS 33490 PIN OAK PARKWAY AVON LAKE OHIO 44012	
PACKAGE 9444PP	QTY 1	REV 1	SHEET 1 of 1
MATERIAL POLYPROPYLENE			