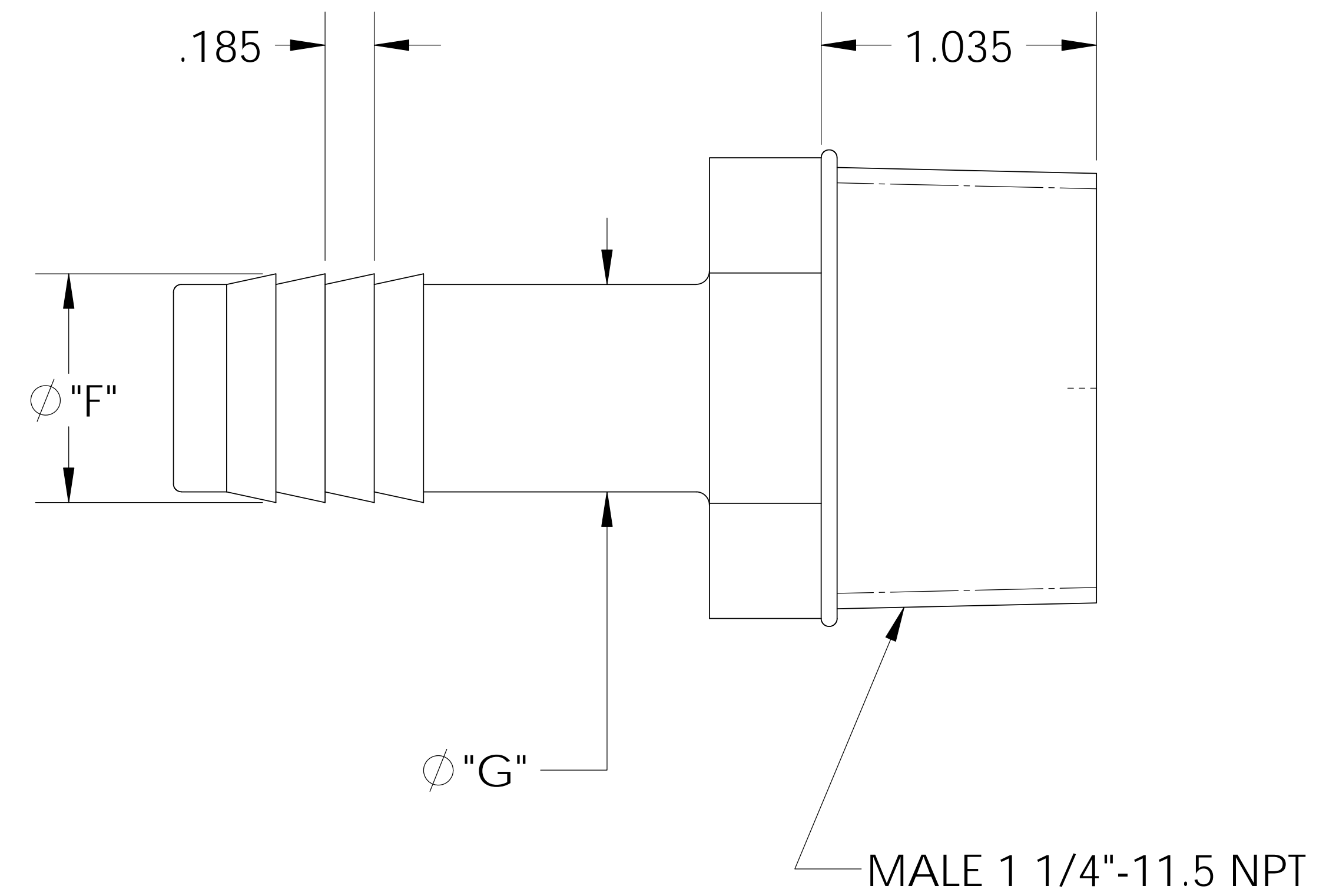
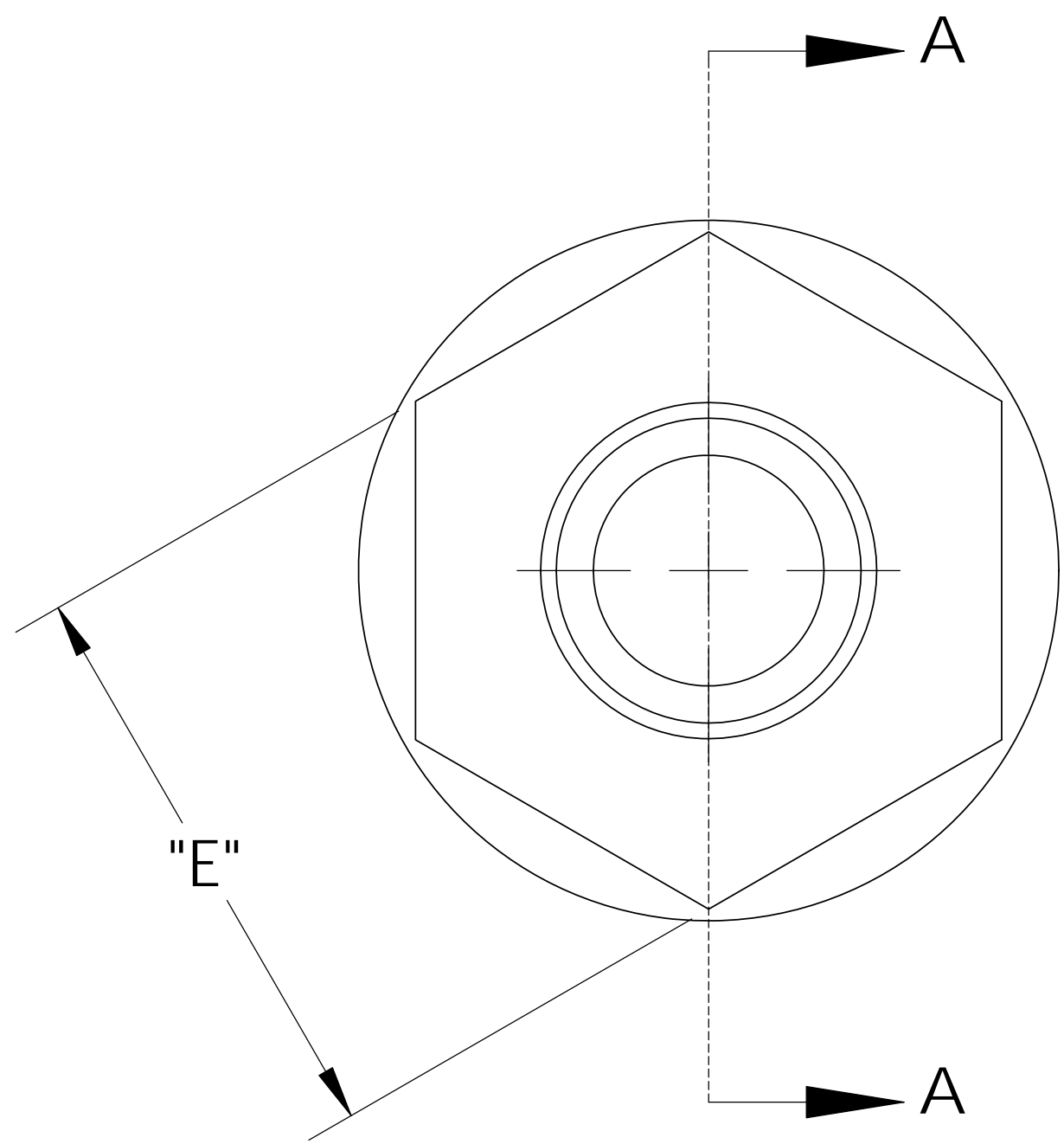
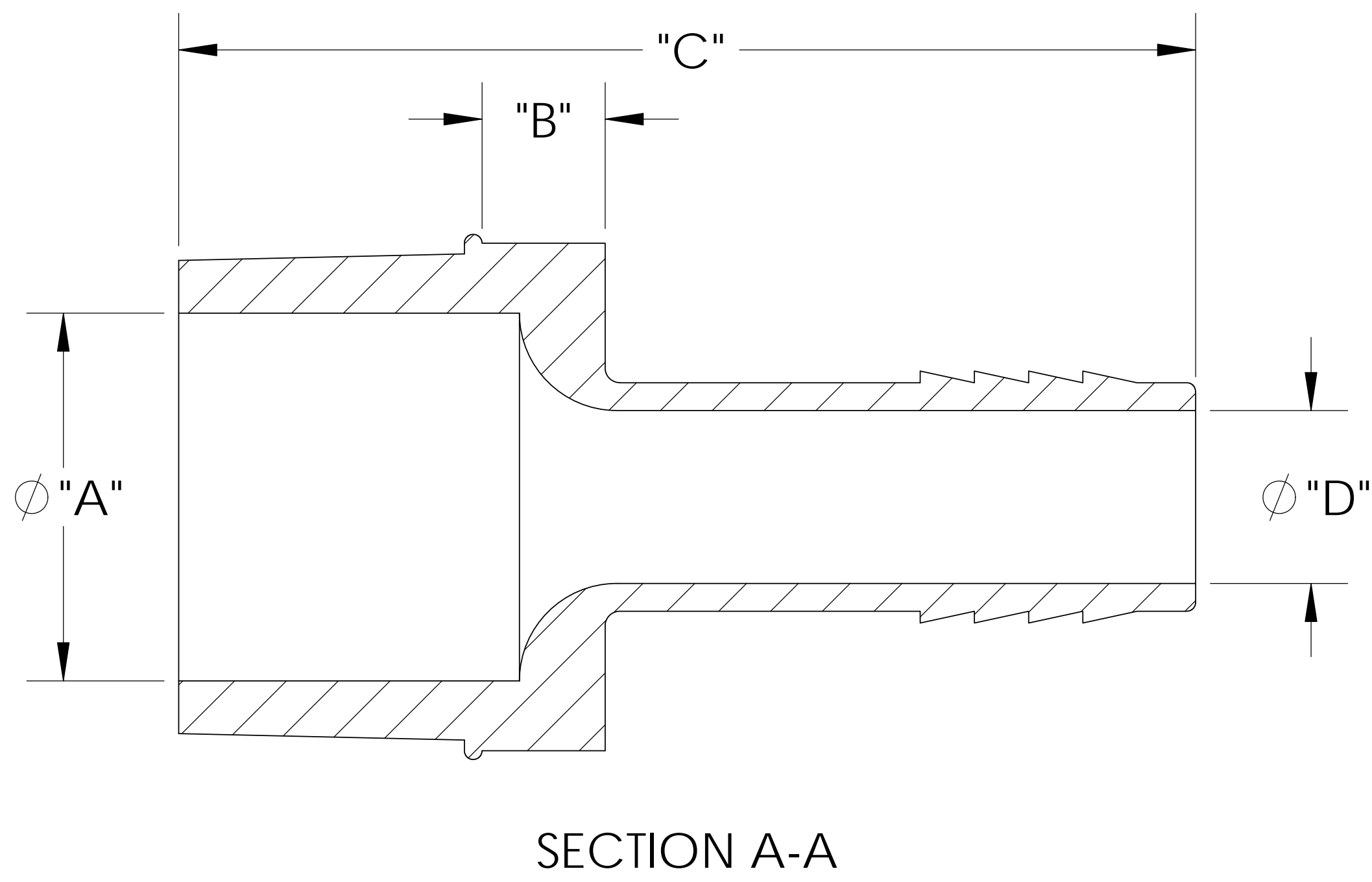
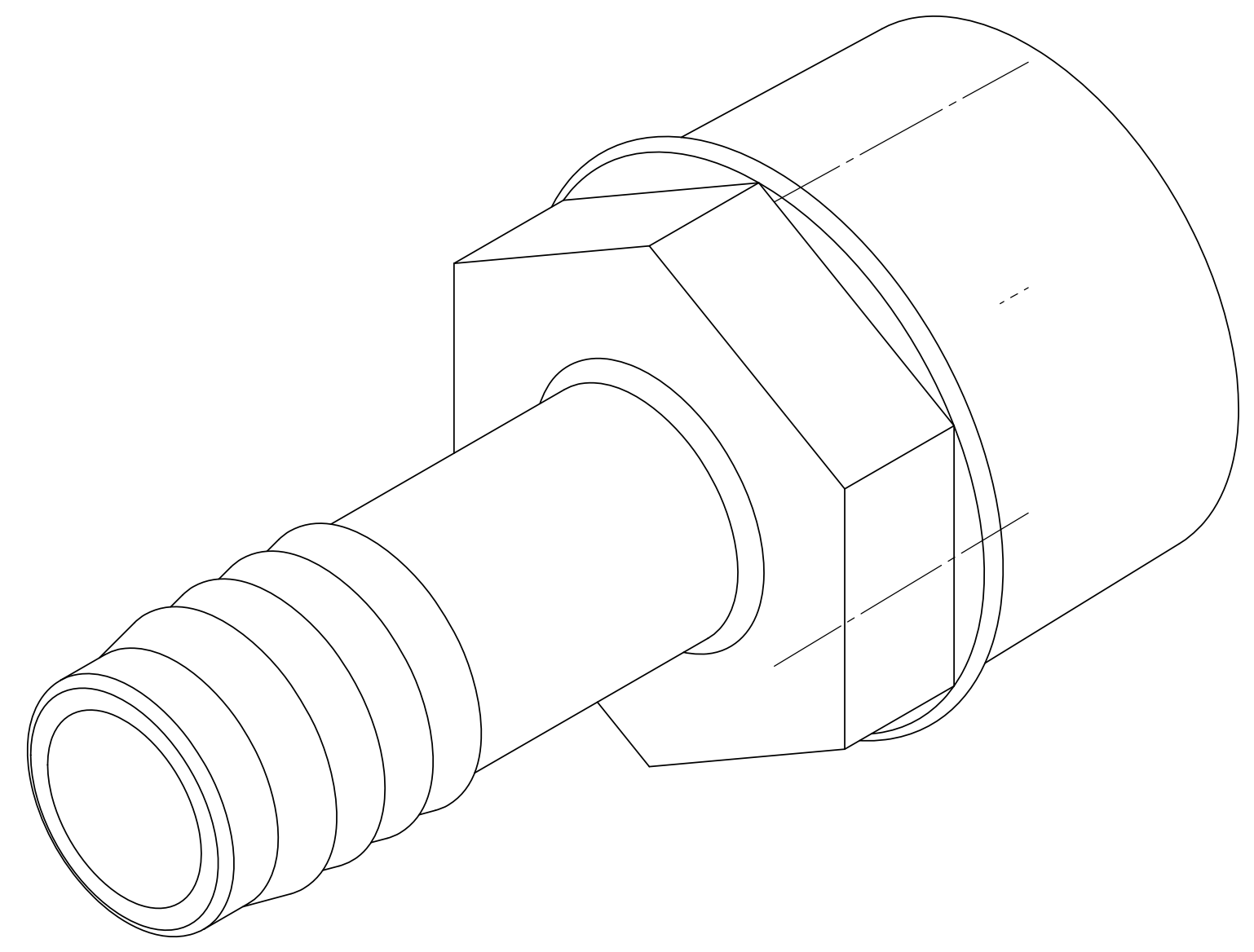


8 7 6 5 4 3 2 1

UNCONTROLLED IF PRINTED; CONTROLLED COPY LOCATED IN IQMS DOCUMENT CONTROL



CATALOG NO.	DESCRIPTION	MATERIAL	DIM "A"	DIM "B"	DIM "C"	DIM "D"	DIM "E"	DIM "F"	DIM "G"
TA102012/PP	1 1/4" NPT X 3/4" PP	POLYPROPYLENE	1.245	.410	3.44	.585	1.48	.845	.770
TA102012/N	1 1/4" NPT X 3/4" N	NYLON	1.255	.420	3.47	.590	1.50	.860	.780

SHOWN

NOTES:
 1) POLYPROPYLENE HAS COLOR OPTIONS:
 BLACK = TA102012/PPB
 NATURAL = TA102012/PPN

PROPRIETARY AND CONFIDENTIAL
 THE INFORMATION CONTAINED IN THIS DRAWING IS THE SOLE PROPERTY OF THOGUS PRODUCTS COMPANY. ANY REPRODUCTION IN PART OR AS A WHOLE WITHOUT THE WRITTEN PERMISSION OF THOGUS PRODUCTS COMPANY IS PROHIBITED.

REV	WRO#	DESCRIPTION
C	95.00072	CONVERTED TO 3D FORMAT

HISTORY

UNLESS OTHERWISE SPECIFIED:
 DIMENSIONS ARE IN INCHES
 TOLERANCES:
 ANGULAR: ±0.5°
 XX = ± 0.1
 X.XX = ± 0.05
 X.XXX = ± 0.015
 REMOVE ALL SHARP EDGES AND BURRS
 BLEND ALL RADII TO 0.01IN
 INTERPRET GEOMETRIC TOLERANCING PER: ANSI Y 14.5 1994
 MATERIAL: PP, N
 FINISH: NA
 THIRD ANGLE PROJECTION:

NAME	DATE
DRAWN JRM	03/22/11
CHECKED KDJ	3/22/11
ENG APPR.	XX/XX/XX
MFG APPR.	XX/XX/XX
Q.A.	XX/XX/XX

COMMENTS:

Thogus You think it, we can make it...
 33490 PIN OAK, AVON LAKE, OH 44012

TITLE:
1 1/4" NPT X 3/4" BARB ADAPTER

SIZE B	DWG. NO. TA102012	REV C
SCALE: 1:1	MASS:	SHEET 1 OF 1

8 7 6 5 4 3 2 1