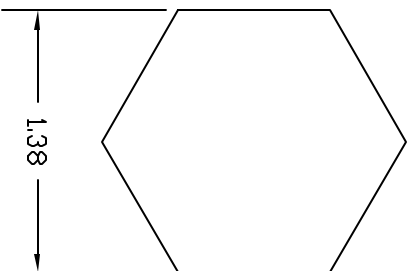
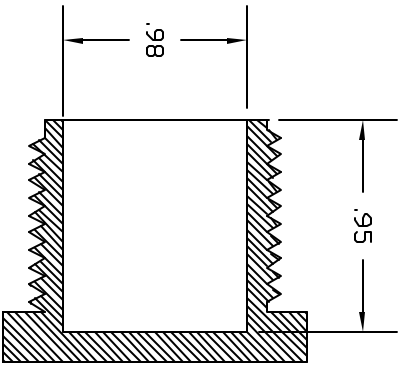
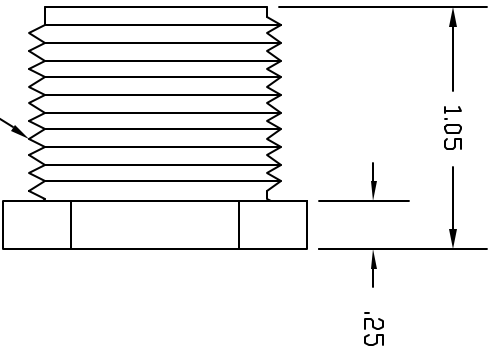


REVISIONS			
REV	DESCRIPTION	DATE	APPROVED
A	REDRAWN & RELEASED	1/98	1/98
B	UPDATE DWG	9/07	9/07



CONTROLLED DOCUMENT
ONLY IF IN RED

CONFIDENTIAL
THIS PRINT AND THE SPECIFICATIONS ARE THE PROPERTY OF THOGUS PRODUCTS COMPANY AND HAVE BEEN ISSUED WITH THE UNDERSTANDING THAT IT IS NOT TO BE REPRODUCED, COPIED, REVEALED OR USED FOR THE MANUFACTURE FOR OTHERS AND WILL BE RETURNED UPON REQUEST.

UNLESS OTHERWISE SPECIFIED DIMENSIONS ARE IN INCHES		Part Name: 1NPT PLUG	
DECIMAL FRACTIONS	±.015	Part Number: TP4016/N	
FRACTIONS	±.015	33490 PIN DAK PARKWAY	
XX	±.015	AYDON LAKE OHIO 44012	
XXX	±.015	REV B	
DRAWN	NM	DATE	1/98
FINISHED	4016N	SHEET 1 of 1	
MATERIAL	NYLON		