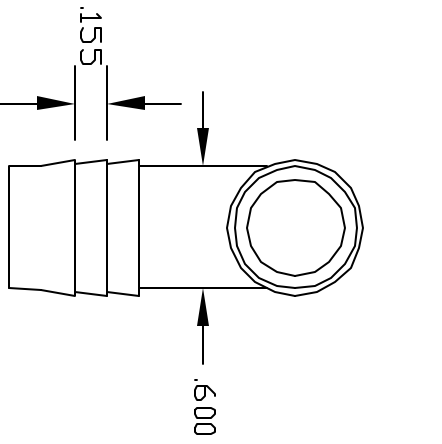
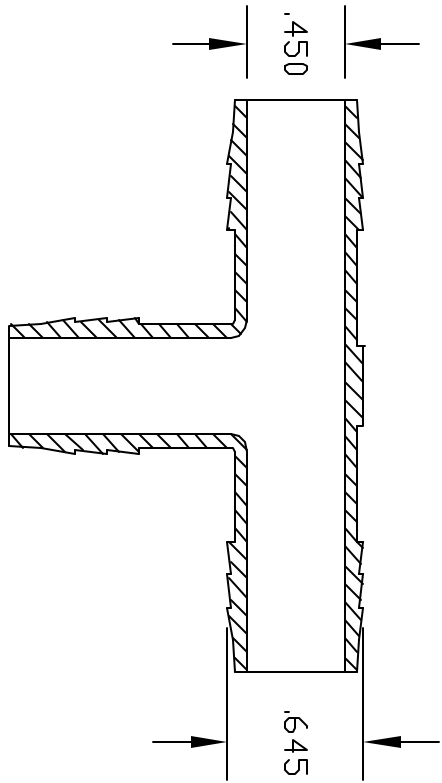
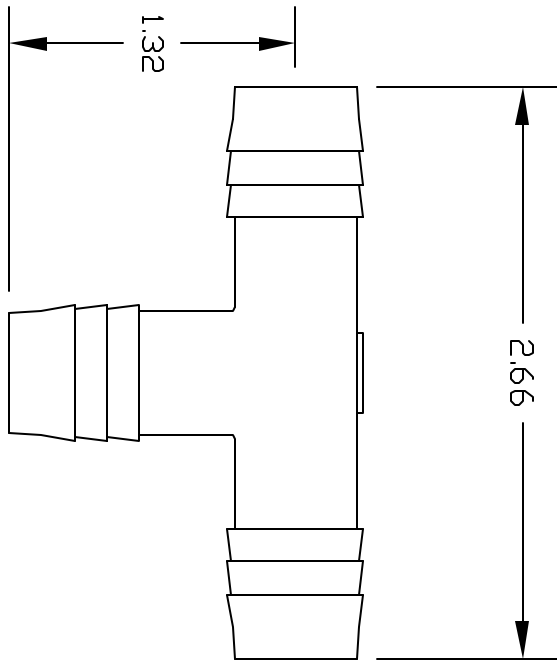


REV	DESCRIPTION	DATE	APPROVED
A	REDRAWN & RELEASED	5/98	5/98
B	REVISE BARBS/LENGTHEN	6/01	BM
C	.615 WAS .620	6/01	BM
D	UPDATE DWG	9/07	9/07



CONTROLLED DOCUMENT  
ONLY IF IN RED

**CONFIDENTIAL**  
THIS PRINT AND THE SPECIFICATIONS ARE THE PROPERTY OF THOGUS PRODUCTS COMPANY AND HAVE BEEN ISSUED WITH THE UNDERSTANDING THAT IT WILL NOT BE REPRODUCED, REVEALED TO OR USED FOR THE MANUFACTURE FOR OTHERS AND WILL BE RETURNED UPON REQUEST.

UNLESS OTHERWISE SPECIFIED DIMENSIONS ARE IN INCHES DECIMALS XX +/- .05 ANGULAR XXX +/- .015		PART NAME: 5/8 BARB X 5/8 BARB X 5/8 BARB TEE
DRAWN BM	DATE 6/00	<b>THOGUS PRODUCTS</b> 33490 PIN OAK PARKWAY AVON LAKE OHIO 44012
MATERIAL POLYETHYLENE	PART NUMBER TT9101010/P	
THIS DRAWING IS THE PROPERTY OF THOGUS PRODUCTS COMPANY AND IS TO BE KEPT IN CONFIDENTIALITY. IT IS TO BE RETURNED TO THE COMPANY UPON REQUEST.		SHEET 1 OF 1