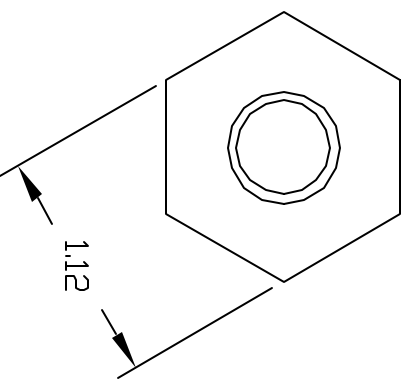
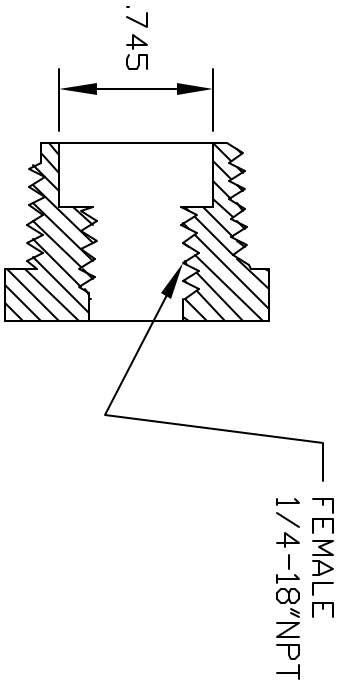
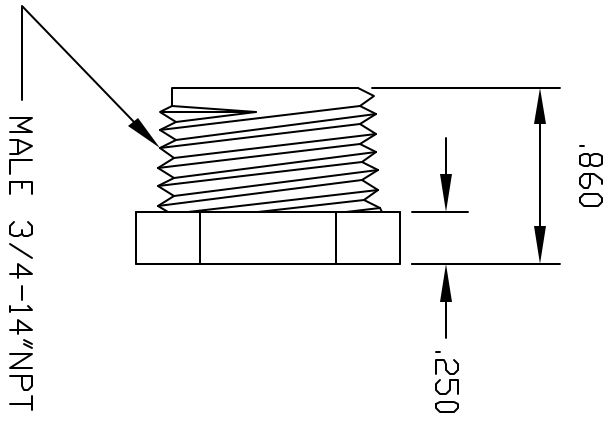


REV	DESCRIPTION	DATE	APPROVED
A	DRAWN	05/02	05/02
B	UPDATE DWG	9/07	9/07



UNLESS OTHERWISE SPECIFIED
DIMENSIONS ARE IN INCHES
TOLERANCES
DECIMALS ANGULAR
.XX +/- .05 +/- .05
.XXX +/- .015

CONDENSATIONAL
THIS PRINT AND THE SPECIFICATIONS ARE THE PROPERTY OF THOGUS PRODUCTS COMPANY AND HAVE BEEN ISSUED WITH THE UNDERSTANDING THAT IT WILL NOT BE REPRODUCED, REVEALED TO OR USED FOR THE MANUFACTURE FOR OTHERS AND WILL BE RETURNED UPON REQUEST.

PART NAME: 3/4NPT MALE X 1/4NPT FEMALE
REDUCER BUSHING

THOGUS PRODUCTS
33450 PIN OAK PARKWAY
AVON LAKE OHIO 44012

DRAWN: BM DATE: 4/02
THERMFORMER: TRB3414N
MATERIAL: NYLON

PART NUMBER: TRB3414/N

REV B

SHEET 1 OF 1

CONTROLLED DOCUMENT
ONLY IF IN RED