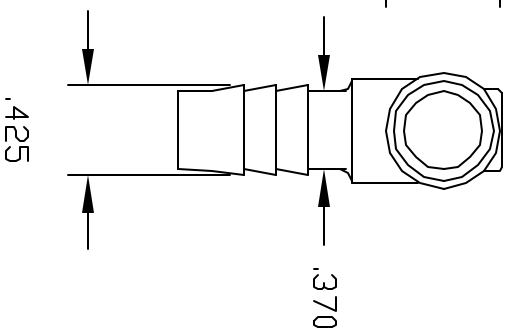
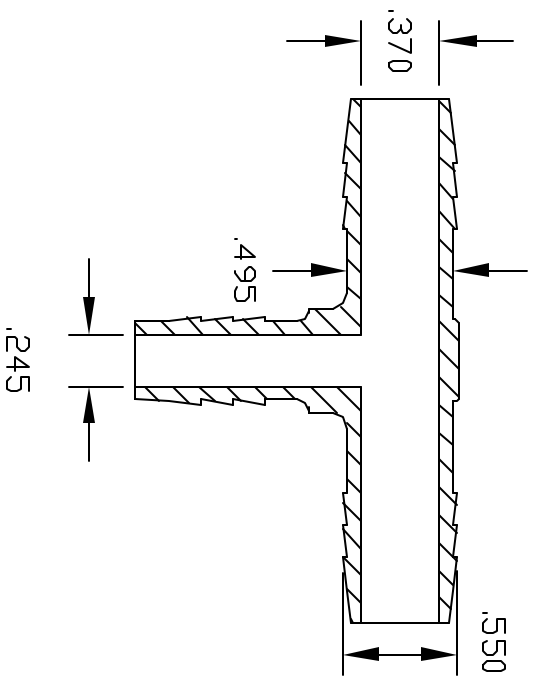
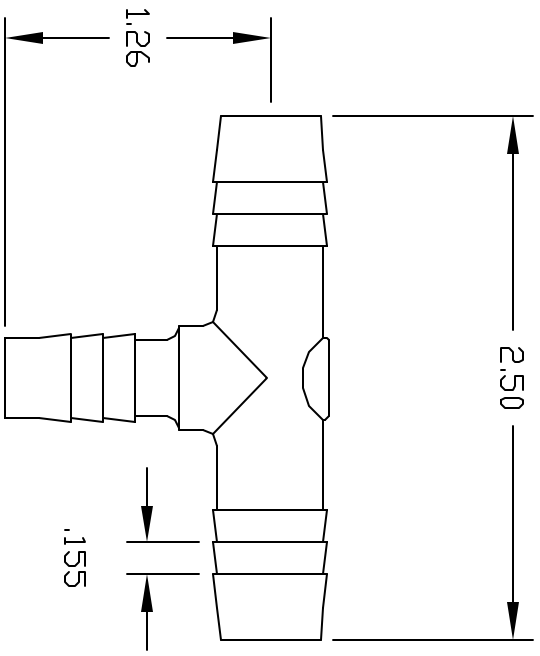


REV	DESCRIPTION	DATE	APPROVED
A	REDRAWN & RELEASED	3/98	3/98
B	LEAD BARB ADDED	9/99	9/99
C	REDRAWN & DIM.	12/28/99	12/99
D	MODIFY DROP BARB	3/07	3/07
E	UPDATE DWG	9/07	9/07



COLOR: BLACK (PPB)

NATURAL (PPN)

UNLESS OTHERWISE SPECIFIED DIMENSIONS ARE IN INCHES DECIMALS TOLERANCES ANGULAR .XX +/- .05 +/- .05 .XXX +/- .015		PART NAME: 3/8 BARB X 1/2 BARB X 1/2 BARB TEE	
DRAWN BM	DATE 12/99	<b>THOGUS PRODUCTS</b> 33490 PIN OAK PARKWAY AVON LAKE OHIO 44012	
MATERIAL POLYPROPYLENE	PART NUMBER TT9688/PP	SHEET 1	OF 1

THIS PRINT AND THE SPECIFICATIONS  
 ARE THE PROPERTY OF THOGUS  
 PRODUCTS COMPANY AND HAVE BEEN  
 ISSUED WITH THE UNDERSTANDING THAT  
 IT WILL NOT BE REPRODUCED,  
 REVEALED TO OR USED FOR THE  
 MANUFACTURE FOR OTHERS AND WILL  
 BE RETURNED UPON REQUEST.

CONTROLLED DOCUMENT  
 ONLY IF IN RED