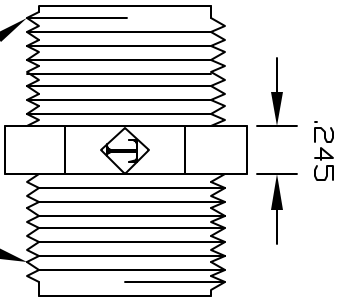
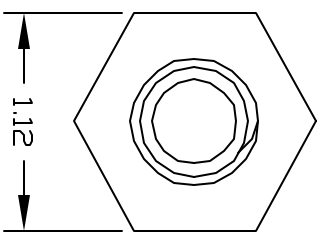
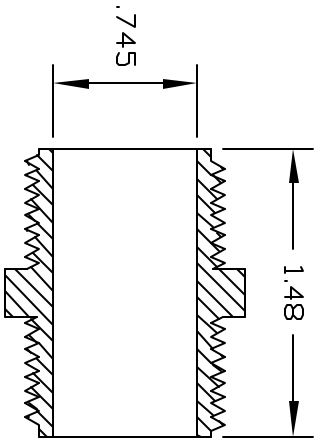


REVISIONS			
REV	DESCRIPTION	DATE	APPROVED
A	REDRAWN & RELEASED	8/97	8/97
B	UPDATE DWG	9/07	9/07



MALE 3/4" NPT



CONTROLLED DOCUMENT
ONLY IF IN RED

CONFIDENTIAL
THIS PRINT AND THE SPECIFICATIONS ARE THE PROPERTY OF THOGUS PRODUCTS COMPANY AND HAVE BEEN LENT WITH THE UNDERSTANDING THAT IT IS NOT TO BE REPRODUCED, COPIED, REPAIRED, OR FOR ANY OTHER MANUFACTURE FOR OTHERS AND WILL BE RETURNED UPON REQUEST.

UNLESS OTHERWISE SPECIFIED DIMENSIONS ARE IN INCHES		TOLERANCES	
XX	+/- .05	YY	.05
XXX	+/- .015		
DRAWN	NM	DATE	8/97
DESIGNED	51212N		
MATERIAL	NYLON		
Part Name	3/4NPT X 3/4NPT NIPPLE		
Part Number	TNS1212/N		
THOGUS PRODUCTS	33490 PIN DAK PARKWAY AVON LAKE OHIO 44012		
REV	B	SHEET	1 of 1