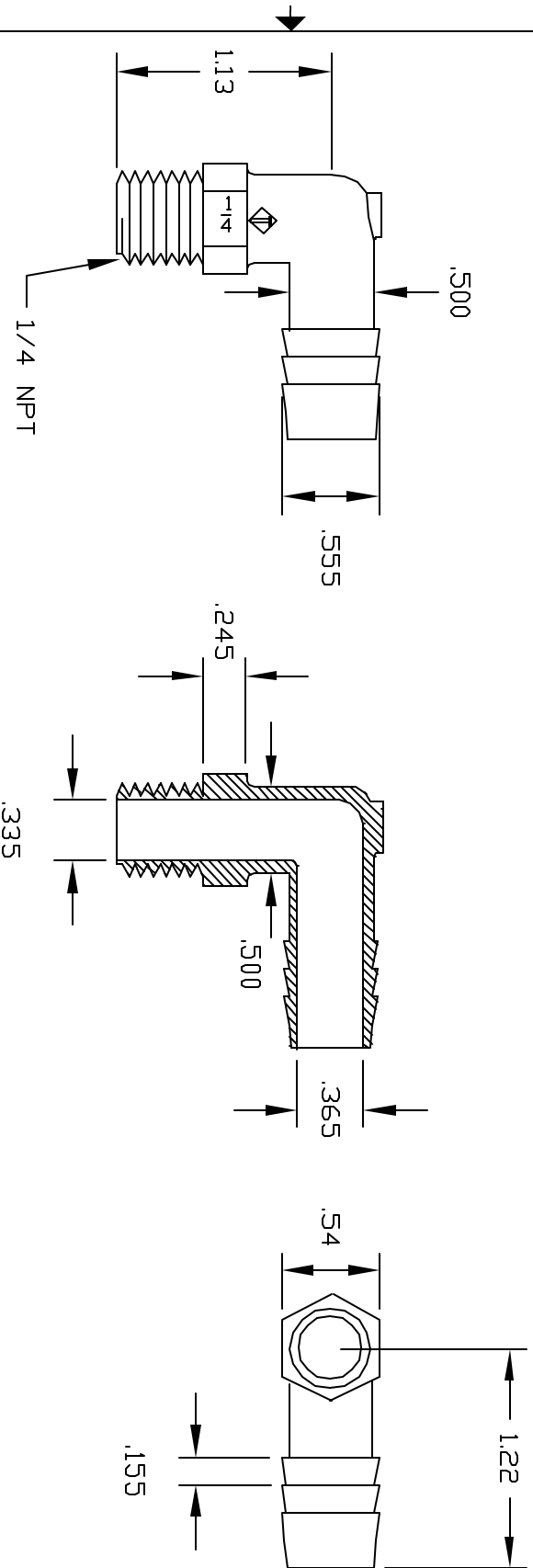


REVISIONS

REV	DESCRIPTION	DATE	APPROVED
A	REDRAWN & RELEASED	2/98	2/98
B	LEAD BAR	7/99	7/99
C	.545 to .550 .550 to .554 1.11 to 1.26	7/99	7/99



CONTROLLED DOCUMENT  
ONLY IF IN RED

CONFIDENTIAL  
THIS PRINT AND THE SPECIFICATIONS ARE THE PROPERTY OF THOGUS PRODUCTS COMPANY AND HAVE BEEN ISSUED WITH THE UNDERSTANDING THAT THE USER WILL NOT REPRODUCE OR MANUFACTURE FOR OTHERS AND WILL BE RETURNED UPON REQUEST.

UNLESS OTHERWISE SPECIFIED DIMENSIONS ARE IN INCHES		DRAWN MS		DATE 2/98	
TOLERANCES		CHECKED			
FRACTIONS .005		MATERIAL POLYETHYLENE		Part Number TE2048/P	
DECIMALS .005				THOGUS PRODUCTS 33490 PIN DAK PARKWAY	
ANGLES .015				AYDON LAKE OHIO 44012	
SCALE 1:1		SHEET 1 of 1		REV	

THE INFORMATION CONTAINED HEREIN IS UNCLASSIFIED