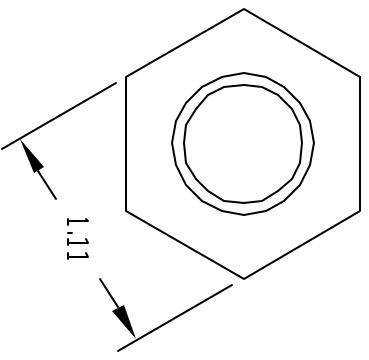
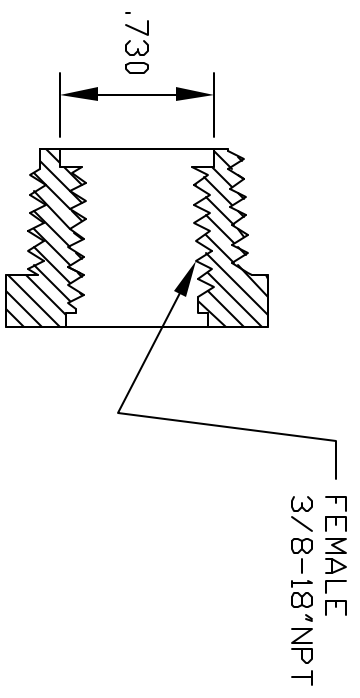
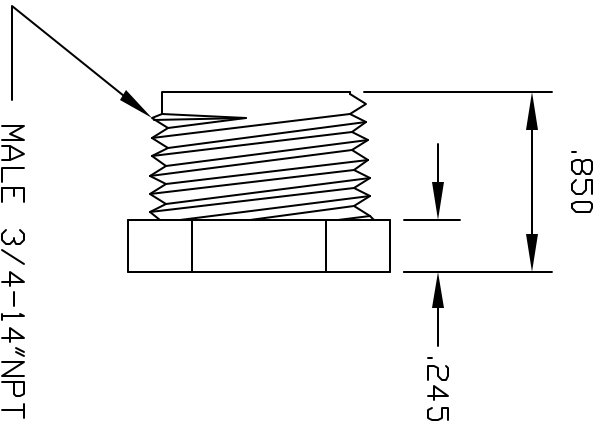


REV	DESCRIPTION	DATE	APPROVED
A	DRAWN	05/02	05/02
B	UPDATE DWG	9/07	9/07



CONTROLLED DOCUMENT
ONLY IF IN RED

CONFIDENTIAL
THIS PRINT AND THE SPECIFICATIONS ARE THE PROPERTY OF THOGUS PRODUCTS COMPANY AND HAVE BEEN ISSUED WITH THE UNDERSTANDING THAT IT WILL NOT BE REPRODUCED, MANUFACTURED OR USED FOR THE MANUFACTURE FOR OTHERS AND WILL BE RETURNED UPON REQUEST.

UNLESS OTHERWISE SPECIFIED DIMENSIONS ARE IN INCHES DECIMALS FRACTIONS XXX 1/16	DRAWN BM	DATE 5/02
FILIFORME: TRB3438PPB	MATERIAL POLYPROPYLENE BLACK	

PART NAME: 3/4NPT MALE X 3/8NPT FEMALE REDUCER BUSHING	PART NUMBER TRB3438/PPB	REV B
THOGUS PRODUCTS 33490 PIN OAK PARKWAY AVON LAKE OHIO 44012	SHEET 1 OF 1	