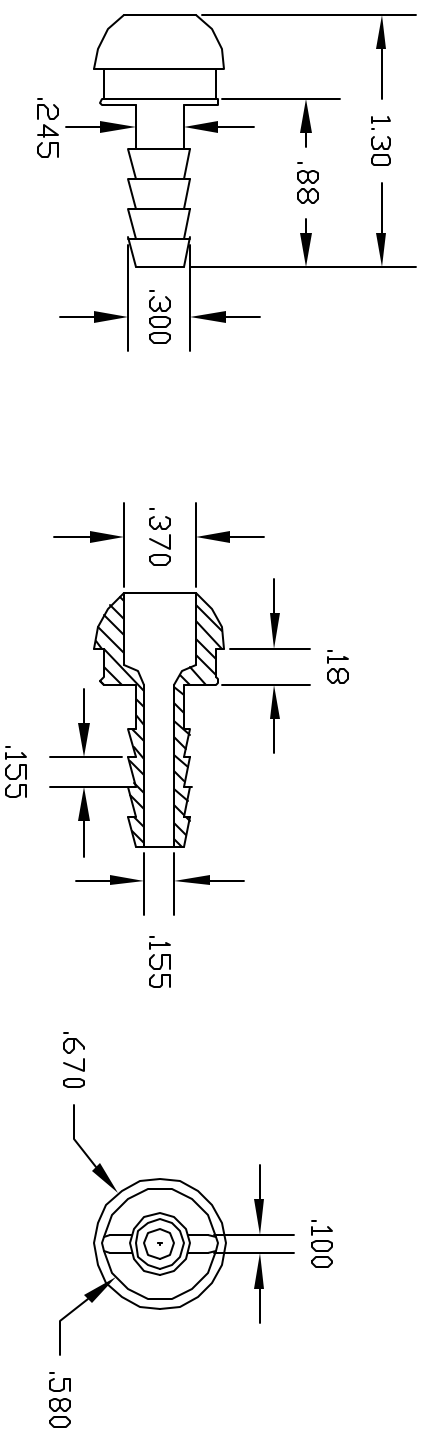


REVISIONS			
REV	DESCRIPTION	DATE	APPROVED
A	DRAWN AND RELEASE	1/98	
B	UPDATE DWG	9/07	9/07



TO MATE WITH THOGUS PART NUMBER
SN8/N, 1/2" NPT FEMALE NUT

CONTROLLED DOCUMENT
ONLY IF IN RED

UNLESS OTHERWISE SPECIFIED DIMENSIONS ARE IN INCHES		Part Name	
DECIMALS .XX +/- .05	FRACTIONS XXX +/- .015	1/4 BARB SWIVEL NUT ADAPTER INSERT	
ANGULAR +/- .05		THOGUS 33490 PIN DAK PARKWAY PRODUCTS AYOON LAKE OHIO 44012	
DRAWN NM	DATE 1/98	Part Number	REV
THOGUS SNA8-4N		SNA8-4/N	B
MATERIAL NYLON		SHEET 1	of 1